

PxLNet Controller

The PxLNet Controller provides a user-friendly programming experience with full functionality on any device (phone, tablet or computer). Exercise precision control of individual pixels over long distances in complex lighting projects. With a simple menu configuration, the rack-mounted 100-250V PxLNet Controller can be programmed with 8 bit or 16 bit dimming.



- 16 output ports
- Control up to 49,152 channels (16,320 RGB pixels)
- Program individual pixels
- Choose 8 bit or 16 bit dimming
- Daisy chain controllers for larger projects
- Supports 60+ SPI protocols
- Long-distance controls (up to 820 ft./250 m)
- Fits easily in 19 in. rack mount
- Adjust brightness, saturation, speed and hue
- Lifetime software license allows protocol updates
- IP20 for indoor use
- 5-year warranty

Applications:

Commercial	Hospitality	Residential
Entertainment	Museums	Retail
Healthcare	Public Spaces	

ORDERING GUIDE

Category

CTRLPIXEL96

CTRLPIXEL96 - PxLNet Controller

Accessories

DigiDot RJ45 Network Cable
Part #: DIGICBLRJ45

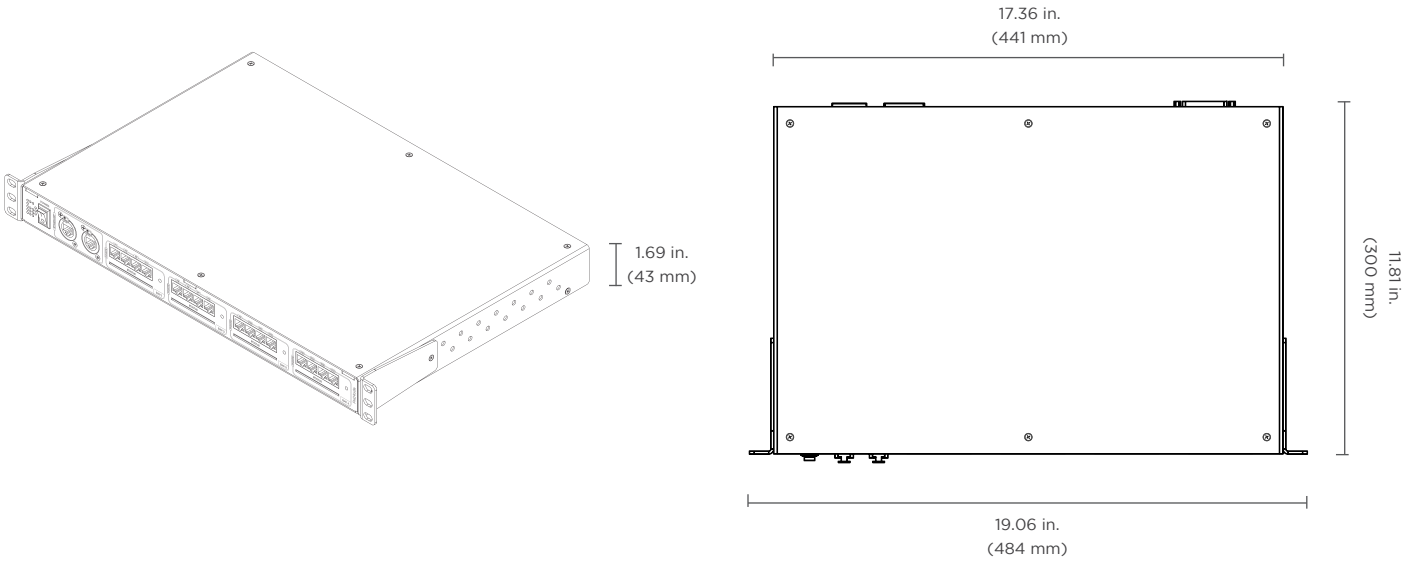
DigiDot RJ45 DMX Adapter
Part #: DIGIRJ45DMXADP

SPECIFICATIONS

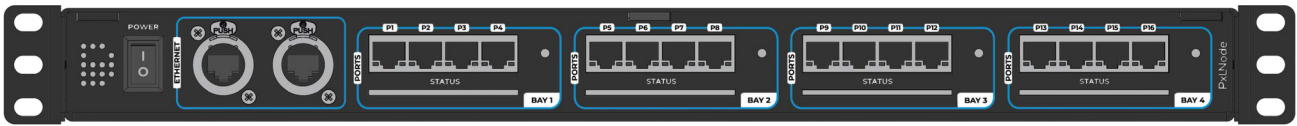
Input Power	100 - 250V AC
Power Consumption	45W
Output Signal	Art-Net 1,2,3 & 4 (out/through), DMX512 (16 outputs), 60+ SPI protocols, sACN
Control	Art-Net, DMX, SPI, sACN
Number of Channels	Up to 49,152 ArtNet channels or sACN channels (96 universes)
Dimming Range	8 bit/16 bit
Environment	Indoor use
Operating Temperature	32° - 122° F (0° - 50° C)
Standards	CE, ROHS, UKCA
Dimensions (L x W x D)	17.36 x 11.8 x 1.69 in. (441 x 300 x 43 mm)
Weight	5.4 lb (2450 g)
Warranty	5 years

Acolyte does not warrant or represent that the information is free from errors or omission. The information may change without notice and Acolyte is not in any way liable for the accuracy of any information printed and stored or in any way interpreted or used.

DIMENSIONS



Front



Back

