

Date _____ Project _____

Notes _____

PxLNet Transmitter

The PxLNet Transmitter is a data range extender that converts SPI signals to the PxLNet protocol. This protocol is used to transmit SPI signals to receiver modules up to 820 ft (250 m) away or to convert signals to DMX.

- 12-24V DC
- Works with PxLNet Transceivers
- Powers the C4 Extended or C4 Live
- Data only SPI or 4xDMX out

Applications:

Commercial	Hospitality	Residential
Entertainment	Museums	Retail
Healthcare	Public Spaces	



CE RoHS UK CA SPI DMX IP40

ORDERING GUIDE

Part Number

CTRLPIXELTRMR

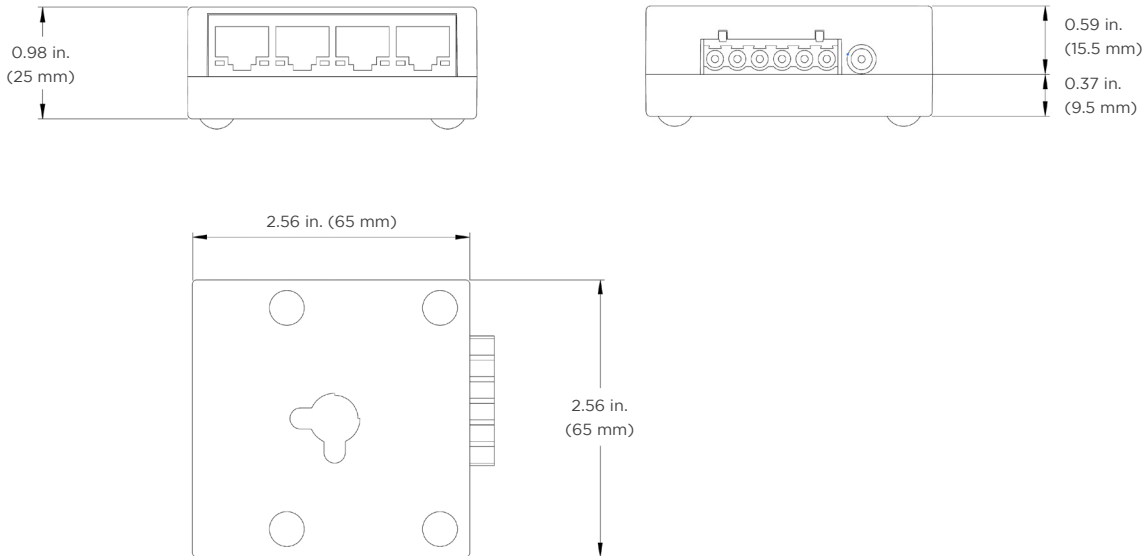
CTRLPIXELTRMR - PxLNet Transmitter

SPECIFICATIONS

Input Voltage	12-24V DC
Max. Power Consumption	1 W
IP Rating	IP40
DC Input	Overvoltage protection (max. 24V DC)
Reverse Polarity Protection	Yes
Recommended Wire Size	Max. 2,5 mm ² / 14 AWG
Environment	Indoor use
Operating Temperature	32° - 122° F (0° - 50° C)
Max. Ambient Temperature	104° F (40° C)
Storage Temperature	-4° - 122° F (-20° - 50° C)
Max. operating relative humidity	90% (indoor use only)
Standards	EN60950-1:2006 + A11:2009 + A1:2010 + A12:2011 + A2:2013, IEC60950-1 / EN60950-1, EN61006-6-3, EN55032
Dimensions (L x W x D)	2.56 x 2.56 x 0.98 in. (65 x 65 x 25 mm)
Weight	2.61 oz (74 g)
Warranty	5 years

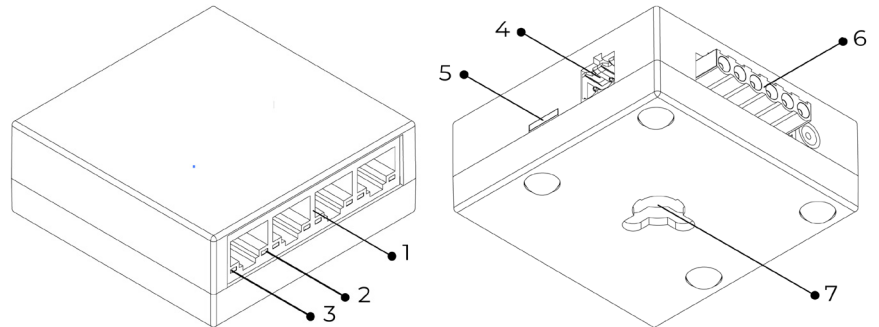
Acolyte does not warrant or represent that the information is free from errors or omission. The information may change without notice and Acolyte is not in any way liable for the accuracy of any information printed and stored or in any way interpreted or used.

DIMENSIONS



DIAGRAMS

1. 4 PxLNet RJ45 output ports
2. Status LED power on (green)
3. Status LED transmitting data (yellow)
4. Power input (Left = DC- (GND) Right = DC+)
5. Power indicator LED (blue)
6. I/O Connector to C4 controllers
7. Mounting hole



Pin 1: Orange/White = (DMX) Data +

Pin 2: Orange = (DMX) Data -

Pin 3: --

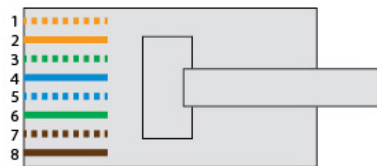
Pin 4: --

Pin 5: --

Pin 6: --

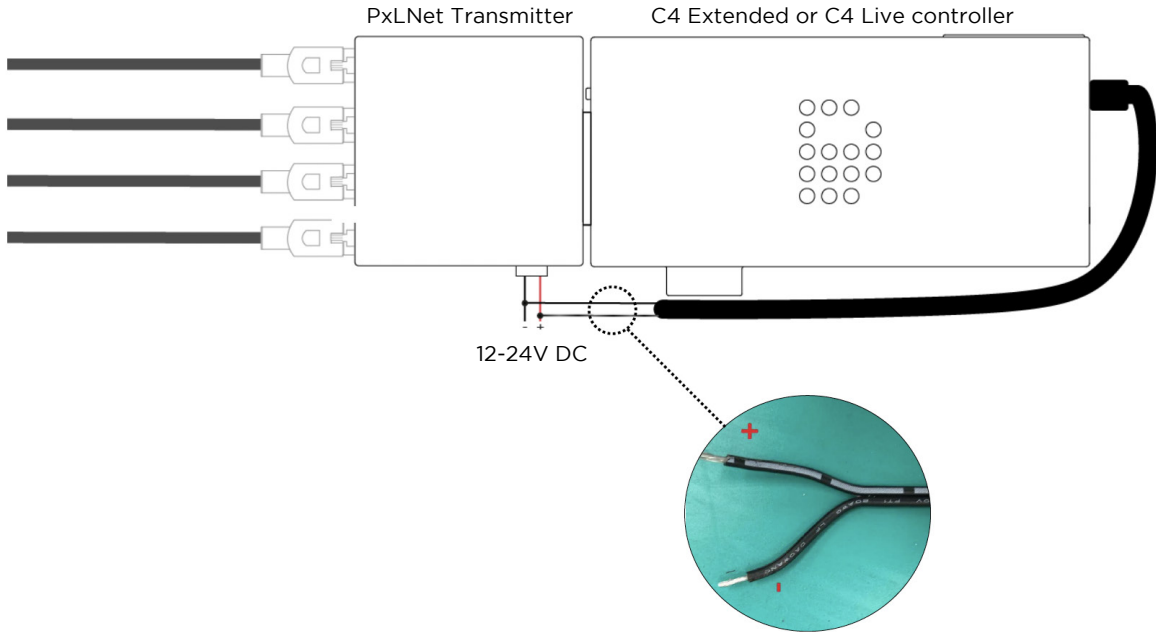
Pin 7: Brown/White = (DMX) GND/DC -

Pin 8: Brown = (DMX) GND/DC



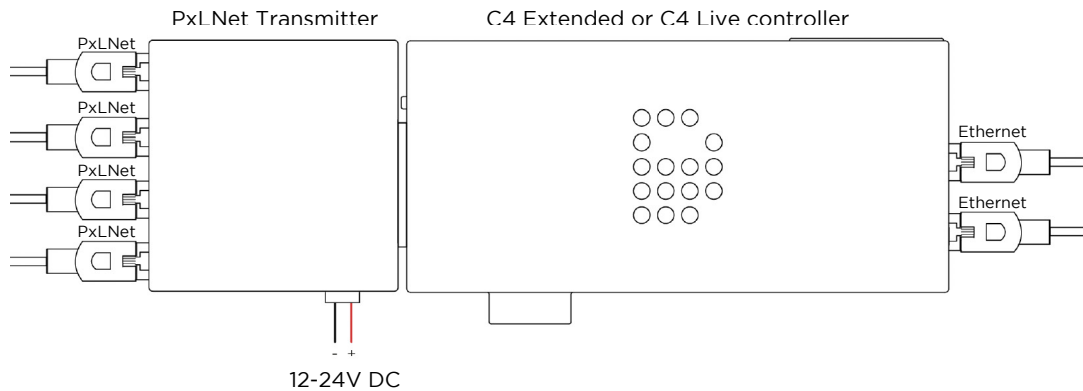
WIRING

Please follow these instructions when connecting these systems. Make sure to power the C4 controllers and PxLNet Transmitter individually. Use the supplied power jack cable to power C4 controllers.



CONNECT TRANSMITTER TO C4 CONTROLLER

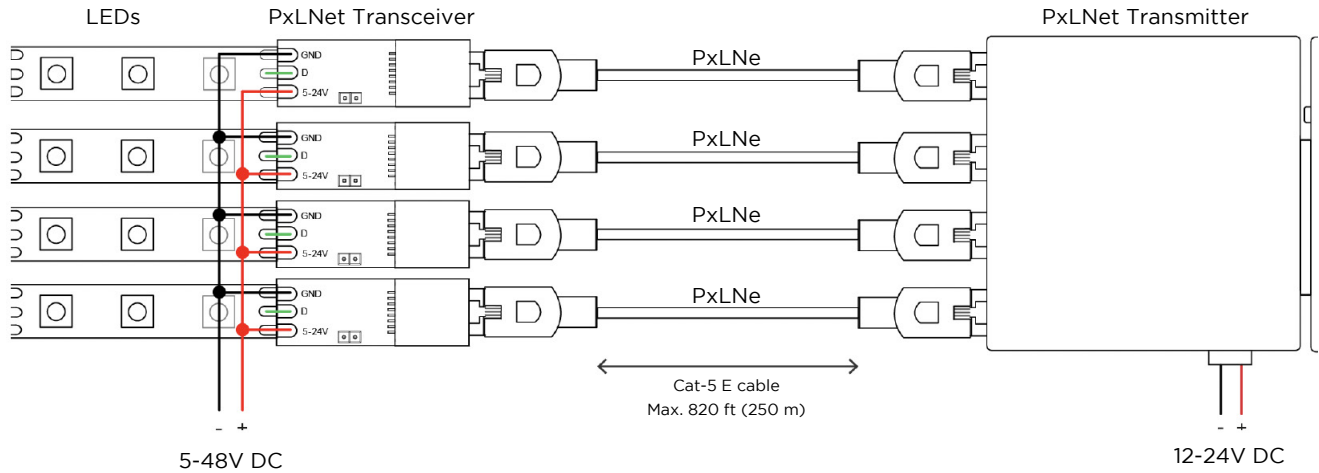
The PxLNet Transmitter connects directly to the C4 Controller. With third party SPI controllers, a PxLNet Transceiver Bus Adapter (sold separately) must be placed on the terminal connector.



IMPORTANT: The C4 controller needs power separately. This is done with a separate DC power jack cable.

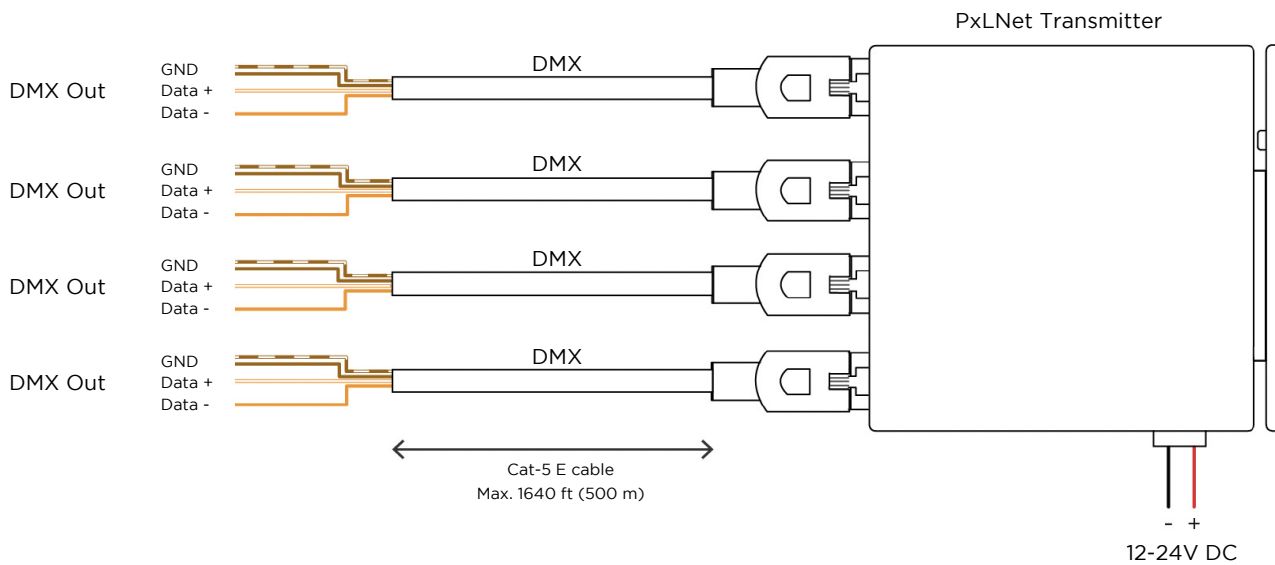
CONNECTING TO PXLNET TRANSCEIVER

The PxLNet Transmitter can be connected to a PxLNet Transceiver to send signals across large distances.



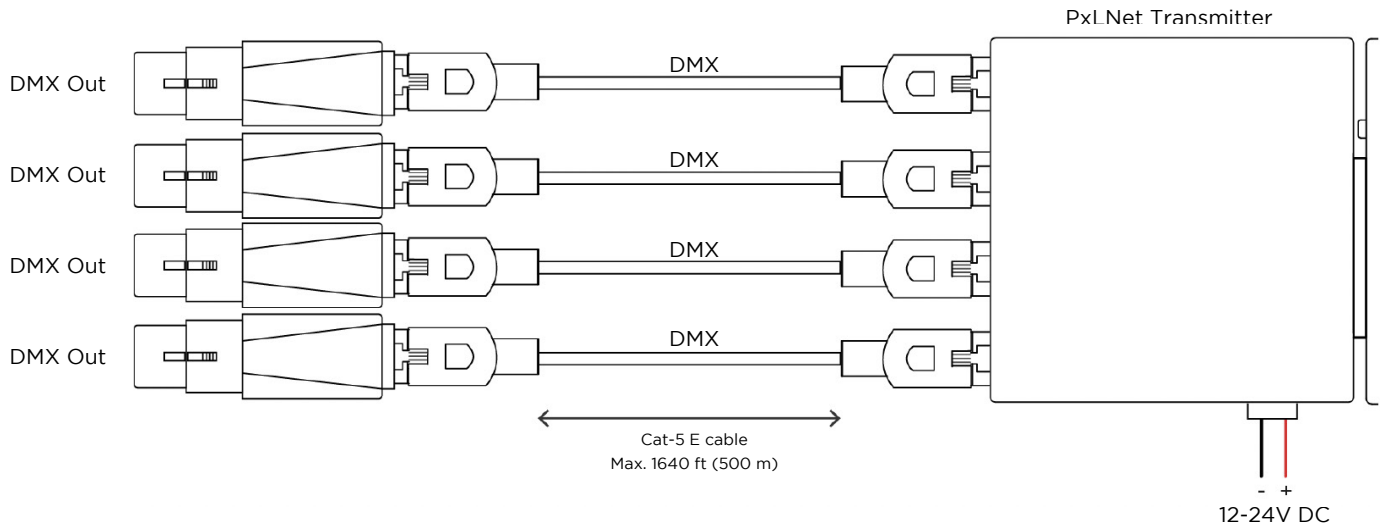
CONNECTING TO DMX PRODUCTS

When connecting a DMX product where the wires need to be inserted in wire terminals or need to be soldered, the network cable must be stripped and wires must be connected as shown below. The indicated wire colors are according to the T-568B and ANSI ESTA E1-11 standard.



CONNECTING TO PXLNET TRANSCEIVER

DiGidot offers RJ45 to XLR adapters to connect to any DMX controlled device with a 3-pin XLR connector. The RJ45 pinout is according to the ANSI ESTA E1-11 standard and can also be inserted directly in any DMX device with RJ45 input.



OPERATION & ONLINE RESOURCES

The PxlNet Transmitter automatically converts any SPI output protocol to PxlNet and sends it up to 820 ft (250 m) to a PxlNet Transceiver, where it is converted to the original protocol.

For technical specifications, latest documentation, manuals, product information and further support please visit www.digidot.eu.