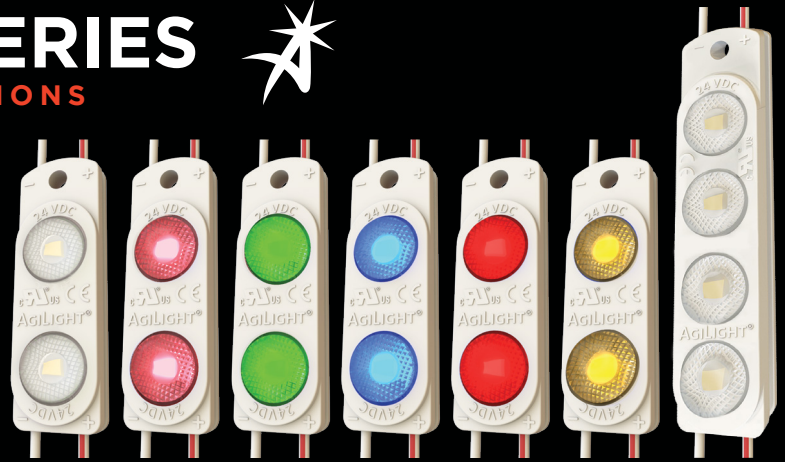


PRO PREMIUM SERIES

24V SIGNAGE LIGHTING SOLUTIONS



UL ENEC RoHS LM-79 LM-80 IP68



THE PRO PREMIUM SERIES is a family of 24V signage modules designed for high brightness channel letters, box signs and accent lighting. Each PRO Premium module contains an integrated circuit that maintains constant current, so there is no lumen drop across any string of modules. Our PRO Premium products are stringently tested for performance, efficiency and longevity – each system is IP68 rated and carries a 9-year warranty.

PRO PREMIUM 2



STANDARD OUTPUT

- 5 Static White CCTs (3000K-7100K)
- 33-35 lumens/module
- 6-in. (150 mm) spacing
- 479 modules/100W power supply

HIGH OUTPUT

- 5 Static White CCTs (3000K-7100K)
- 76-80 lumens/module
- 8-in. (200 mm) spacing
- 192 modules/100W power supply

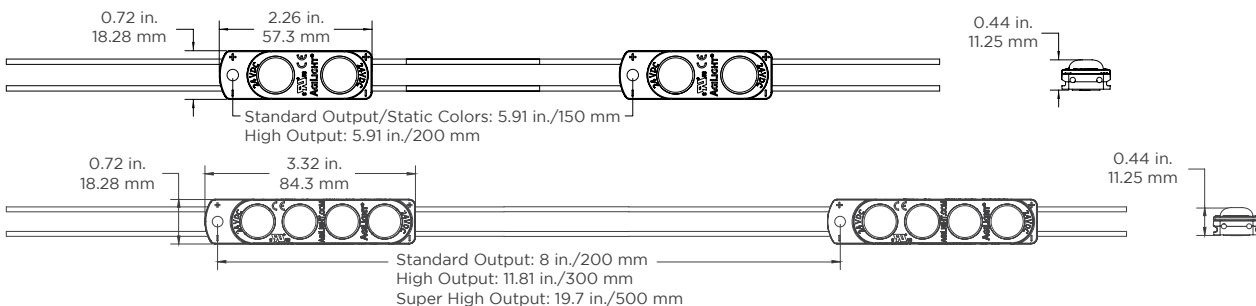
COLOR

- 5 Static Colors (Red, Green, Blue, Ruby Red, Yellow)
- 76-80 lumens/module
- 6-in. (150 mm) spacing
- Number of modules/100W power supply:
Red/Green/Yellow: 179, Blue: 116, Ruby Red: 163

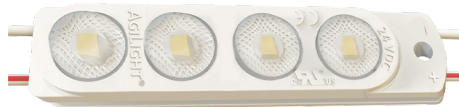
USE PRO PREMIUM 2 MODULES IN:

- Shallow high-brightness channel letters
- Shallow box and cabinet signs
- Exposed contour and accent lighting
- Applications starting at 1.57 in. (40 mm)

DIMENSION DRAWINGS:



PRO PREMIUM 4



STANDARD OUTPUT

- 5 Static White CCTs (3000K-7100K)
- 133-140 lumens/module
- 8-in. (200 mm) spacing
- 110 modules/100W power supply

HIGH OUTPUT

- 5 Static White CCTs (3000K-7100K)
- 190-200 lumens/module
- 12-in. (300 mm) spacing
- 68 modules/100W power supply

SUPER HIGH OUTPUT

- 5 Static White CCTs (3000K-7100K)
- 285-300 lumens/module
- 19.7-in. (500 mm) spacing
- 44 modules/100W power supply

USE PRO PREMIUM 4 MODULES IN:

- Deeper high-brightness channel letters
- Larger box and cabinet signs
- Exposed contour and cove lighting
- PRO Premium Retrofit Kits
- Applications starting at 4 in. (100 mm)



REV.20.JUN.2024