

4 CHANNEL WATERPROOF DMX INTERFACE

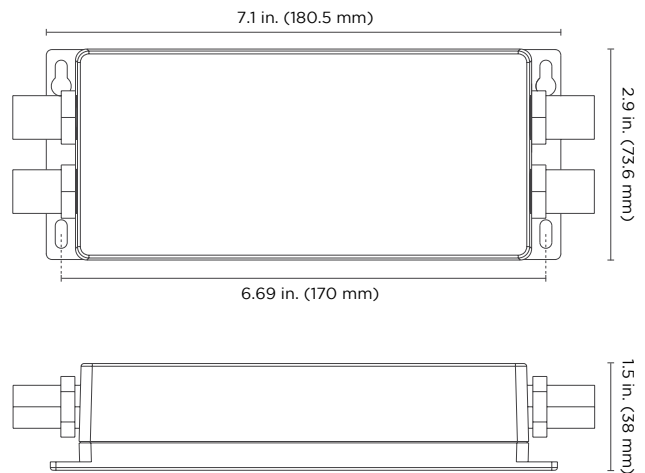
The 4 Channel Waterproof DMX Interface can be used with our DMX controllers to seamlessly operate our color changing RibbonLyte and programmable fixtures in wet and damp locations.

- LCD display for digital programming
- 12-36 VDC input
- 4 Channels
- 5 A max per channel output / 20 A max
- Rated IP67 for outdoor use



Applications:

Commercial	Hospitality	Residential
Entertainment	Museums	Retail
Healthcare	Public Spaces	



ORDERING GUIDE

Category

DMXINFWLCD4

DMXINFWLCD4 - 4 Channel Waterproof DMX Interface

SPECIFICATIONS

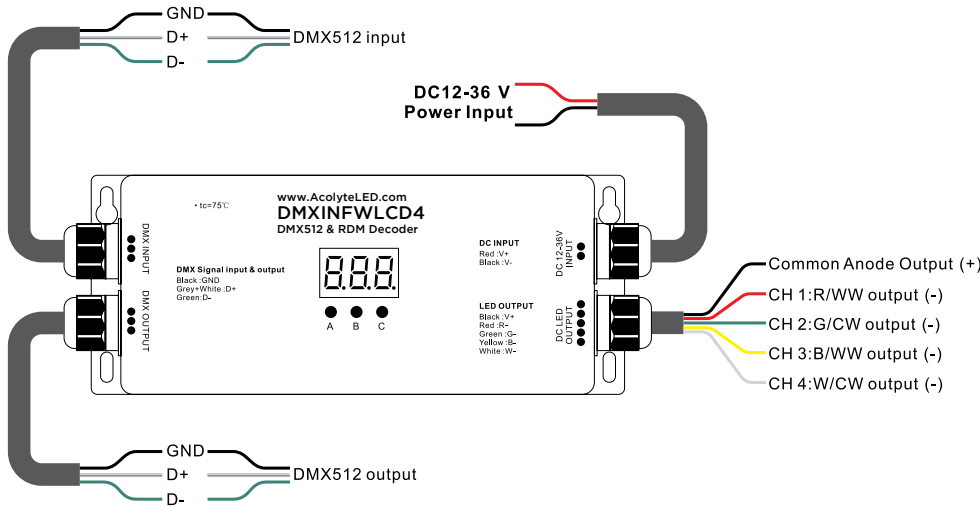
Input Voltage	12-36 VDC
Output Power	60-180 W (x4 channels)
Output Current	5 A (x4 channels)
Output PWM Frequency	500 Hz-30,000 Hz
Ambient Temperature	-13 – 113 °F (-25 – 45 °C)
IP Rating	IP67
Dimensions (L x W x H)	7.1 x 2.9 x 1.5 in. (180.5 x 73.6 x 38 mm)
Warranty	3 years

AgiLight does not warrant or represent that the information is free from errors or omission. The information may change without notice and AgiLight is not in any way liable for the accuracy of any information printed and stored or in any way interpreted or used.

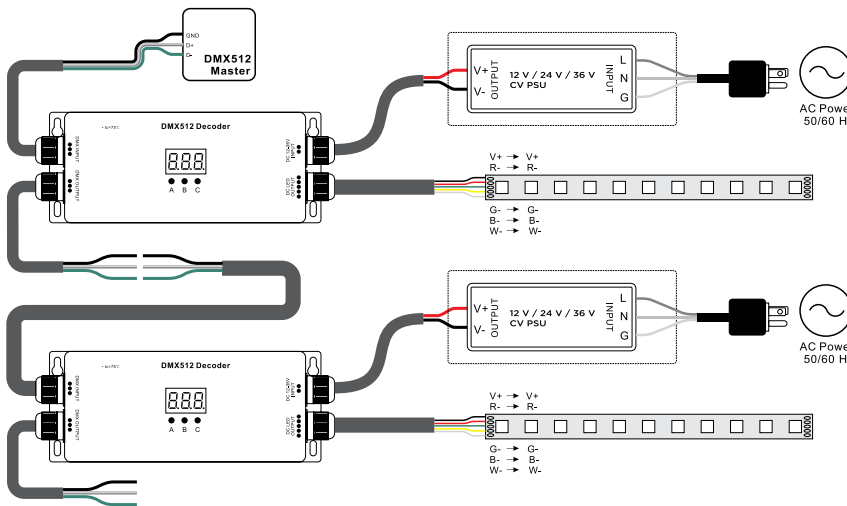
<p>GLOBAL HQ 320 Murray Hill Pkwy East Rutherford, NJ 07073 U.S. T: (+1) 212 629 6830 E: Sales-US@GENLEDBrands.com</p>	<p>EUROPEAN HQ Hogeweysealaan 119 1382 JK Weesp Netherlands T: (+31) 346 235 000 E: SalesEurope@GENLEDBrands.com</p>	<p>MEINA HQ PO Box 371378, #823, Building 4EA Dubai Airport Free Zone Dubai, UAE T: (+971) 4 701 7901 E: SalesMEINA@genlebrands.com</p>	<p>ASIA-PACIFIC HQ Room 402, Building D Shenshi Tongchuang Science and Technology Park No. 16 Hongyin Road Xingqiang Community, Xinhui Street Guangming District, Shenzhen, China 518107 Sales: (+86) 139 1836 3905 Office: (+86) 755 8529 0710 E: Sales-Pacific@GENLEDBrands.com</p>
---	---	--	--

PROGRAMMING/FUNCTIONS/WIRING DIAGRAM

FUNCTIONS



WIRING DIAGRAM



Firmware OTA (wireless) update **RP.!**

After powering on the decoder, the display will show **A.P.O.** This means the decoder supports the firmware OTA update function, which can be used when there is a firmware update from the manufacturer. Updates can be executed through a Windows computer and a USB-to-serial port converter. The converter will connect the computer and the decoder's hard-wire DMX port. Use software RS485-OTW on the computer to push the firmware to the decoder.

- Connect the computer and decoder through the USB to the serial port converter. (To update the firmware for multiple decoders, connect the converter to the first decoder's DMX port, then daisy chain other decoders to the first decoder through the DMX port. DO NOT power on the other decoders yet.)
- Run the OTA tool on the computer using software RS485-OTW.
- Select the communication port "USB-SERIAL" with baud rate "250000" and data bit "9." Use the default settings for other configurations.
- Click the "File" button to select the new firmware from the computer.
- Click "Open Port" to load the firmware.
- Click "Download Firmware." The right-side status column of the OTA tool will show "send link."
- Power on the other decoders.
- The digital display of the decoders will show **RP.!** until the status column of the OTA tool shows "wait erase."
- When the status column shows "wait erase," the update has started.
- As the OTA tool writes data to the decoders, the status column will show the progress.
- When the data writing is complete and the firmware has updated, the decoders' digital display will FLASH **RP.!**

Restore to Factory Default Setting

Press and hold down buttons **A** and **C** for more than 3 seconds until the digital display turns off and turns on again. All settings will be restored to factory default.

Default settings are as follows:

DMX Address: **00.!**
DMX Address Quantity: **4CH**
PWM Frequency: **PF.!**
Gamma: **9.!**

RDM Discovery Indicator

When using RDM to discover the device, the digital display will FLASH. The connected lights will also FLASH at the same frequency. Once the display stops flashing, the connected lights will also stop flashing.

The supported RDM PIDs are as follows:

DISC_UNIQUE_BRANCH
DISC_MUTE
DISC_UN_MUTE
DEVICE_INFO
DMX_START_ADDRESS
IDENTIFY_DEVICE
SOFTWARE_VERSION_LABEL
DMX_PERSONALITY
DMX_PERSONALITY_DESCRIPTION
SLOT_INFO_SLOT_DESCRIPTION
MANUFACTURER_LABEL
SUPPORTED_PARAMETERS

OPERATION

NOTE: Do not install with power applied to device.

To set desired DMX512 address:

Button **A** sets the "hundreds" position
Button **B** sets the "tens" position
Button **C** sets the "unit" position



Set DMX Address (factory default address is 001):

00.!

- Press and hold down any of the 3 buttons for over 3 seconds. The digital display will flash to enter Address Setting mode.
- Continue to short press button **A** to set the "hundreds" position, button **B** to set the "tens" position, and button **C** to set the "units" position.
- Press and hold down any button for more than 3 seconds to confirm the setting.

DMX signal indicator **0**

(the digit 0 of "hundreds" position of DMX address):
When the DMX signal input is detected, the digit **0** (in the "hundreds" position) of the DMX address will stay SOLID on. If there is no signal input, the digit **0** (in the "hundreds" position) of the DMX address will BLINK.

Choose DMX Channel (factory default is 4 DMX channels)

4CH

- Press and hold down buttons **B** and **C** simultaneously for more than 3 seconds. The CH digital display will flash.
- Continue to short press button **A** to choose 1/2/3/4 (for total 1/2/3/4 channels).
- Press and hold down button **A** for more than 3 seconds to confirm the setting.

For example, the DMX address is already set as 001.

- **1CH=1 DMX address** for all the output channels, which will all be address 001.
- **2CH=2 DMX addresses**, so output 1 and 3 will be address 001, output 2 and 4 will be address 002.
- **3CH=3 DMX addresses**, so output 1 and 2 will be address 001, 002 respectively, and output 3 and 4 will be address 003.
- **4CH=4 DMX addresses**, so output 1, 2, 3 and 4 will be address 001, 002, 003 and 004, respectively.

Choose PWM frequency

(factory default PWM frequency is PF1 KH)

PF.!

- Press and hold down buttons **A** and **B** simultaneously for more than 3 seconds. The digital display will show **PF!** (PF means output PWM frequency). The digit 1 (which means frequency) will flash.
- Continue to short press button **C** to select a frequency from 0-9 and A-L, which stand for following frequencies: 0=500Hz, 1=1KHz, 2=2KHz, 3=3KHz, 4=4KHz, 5=5KHz, 6=6KHz, 7=7KHz, 8=8KHz, 9=9KHz, A=10KHz, B=12KHz, C=14KHz, D=16KHz, E=18KHz, F=20KHz, H=25KHz, J=35KHz, L=200Hz.
- Press and hold down button **C** for more than 3 seconds to confirm the setting.

Choose Dimming Curve Gamma Value

(factory default dimming curve value is g1.0)

9.!

- Press and hold down all buttons **A, B** and **C** simultaneously for more than 3 seconds. The digital display will flash **g1.0** (1.0 means the dimming curve gamma value). The value is selectable from 0.1-9.9.
- Continue to short press button **B** and button **C** to select corresponding digits.
- Press and hold down buttons **B** and **C** for more than 3 seconds to confirm the setting.

