

### 5 CHANNEL DMX INTERFACE

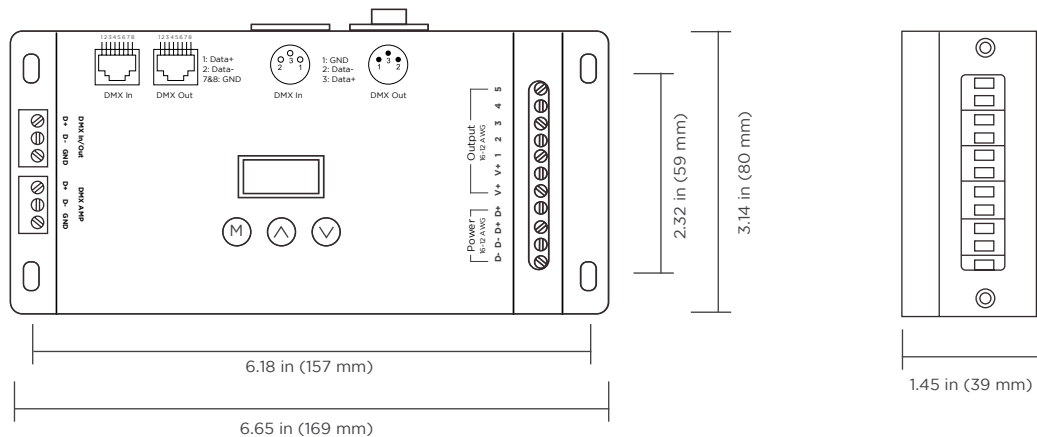
The 5 Channel DMX Interface is used with our DMX controllers to seamlessly operate color changing modules in a single DMX universe (512 channels). New mode options make it easy to control multiple Static White or Static Color, Variable White, RGBW and RGBA modules. Choose from 8-bit or 16-bit color control. Test Mode allows manual testing with the interface -- check specific color levels for troubleshooting without a DMX controller. The 5 Channel DMX Interface can be programmed via remote to set DMX addresses, modes and configurational tasks as well as monitoring sensors, usage and status messages.

- 12-24V DC power
- 6 A/channel output x 5 channels
- 3 DMX connection types: wire terminals, RJ45 (Ethernet) and 3-pin XLR
- Crystal-clear OLED display screen
- Adjustable PWM frequency: 8-bit (standard) or 16-bit (precision) color control
- RDM (remote) capable programming
- New options for controlling multiple modules
- Test mode allows troubleshooting without a controller
- Photoelectric isolation with short circuit, over current and over temperature protections
- Connect up to 32 interfaces on a single chain
- Requires DMX terminator at end of chain (over long distances)



### DIMENSIONS

**Width:** 3.14 in (80 mm)  
**Length:** 6.65 in (169 mm)  
**Depth:** 1.45 in (39 mm)



### ORDERING GUIDE

Category

DMXINFOLED5

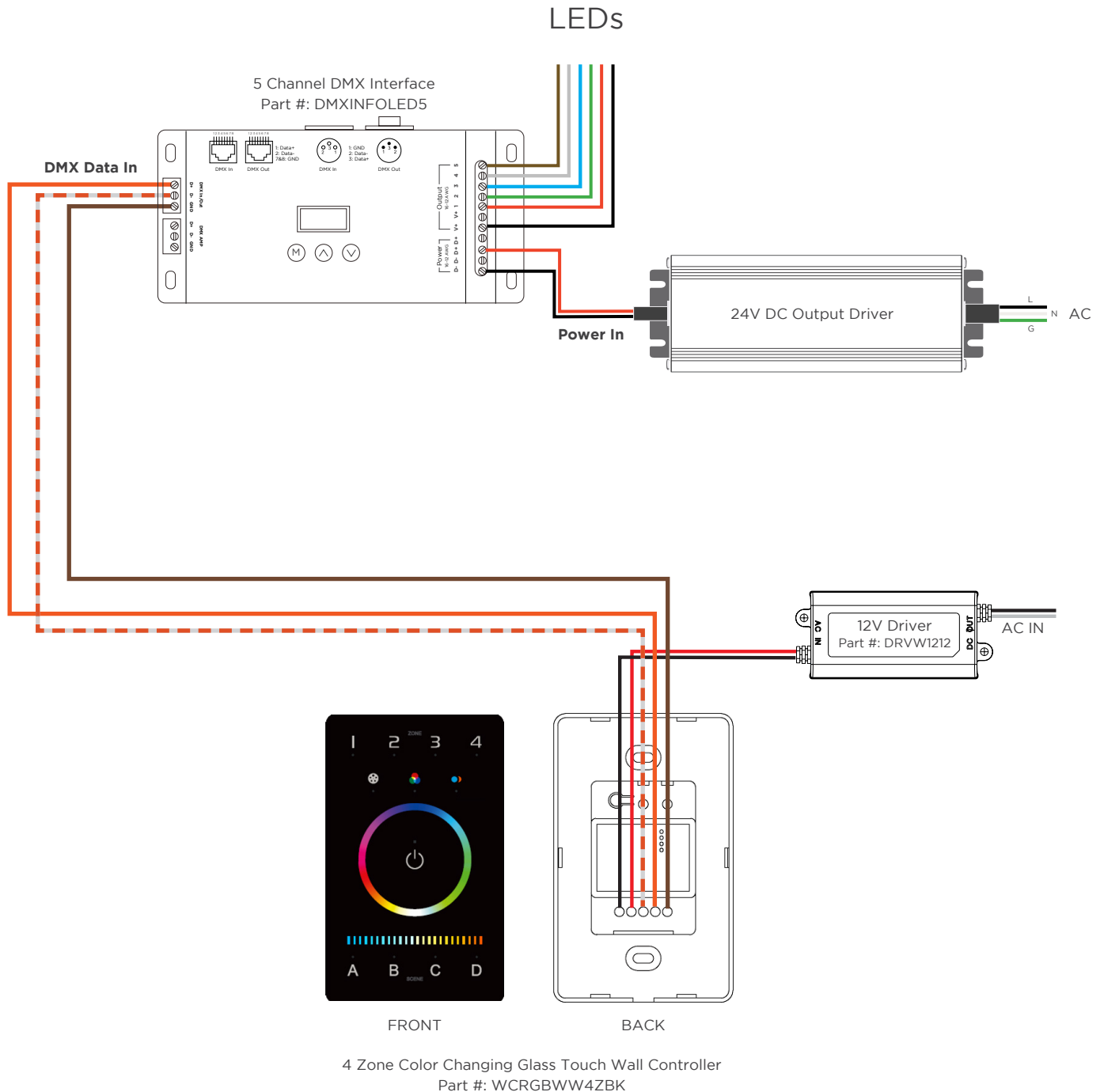
DMXINFOLED5 - 5 Channel DMX Interface

AgiLight does not warrant or represent that the information is free from errors or omission. The information may change without notice and AgiLight is not in any way liable for the accuracy of any information printed and stored or in any way interpreted or used.



**CONNECTIONS**

**WIRING DIAGRAM**



REV.15JAN2025

<p><b>GLOBAL HQ</b>                  320 Murray Hill Pkwy                  East Rutherford, NJ 07073                  U.S.                  T: (+1) 212 629 6830                  E: Sales-US@GENLEDBrands.com</p>	<p><b>EUROPEAN HQ</b>                  Hogeweysealaan 119                  1382 JK Weesp                  Netherlands                  T: (+31) 346 235 000                  E: SalesEurope@GENLEDBrands.com</p>	<p><b>MEINA HQ</b>                  PO Box 371378, #823, Building 4EA                  Dubai Airport Free Zone                  Dubai, UAE                  T: (+971) 4 701 7901                  E: SalesMEINA@genlebrands.com</p>	<p><b>ASIA-PACIFIC HQ</b>                  Room 402, Building D                  Shenshi Tongchuang Science and Technology Park                  No. 16 Hongyin Road                  Xingqiang Community, Xinhui Street                  Guangming District, Shenzhen, China 518107                  Sales: (+86) 139 1836 3905                  Office: (+86) 755 8529 0710                  E: Sales-Pacific@GENLEDBrands.com</p>
--	--	---	--