

4 CHANNEL RF INTERFACE

The AgiLight 4 Channel RF Interface is a universal constant voltage LED dimmer controller with 12-36VDC input and output for monochrome color, dual color and RGB/RGBW lights.

- 4CH RF Interface
- Compatible with RF Wireless Remotes
- 4 x 5A outputs
- 480W total power with 24V driver

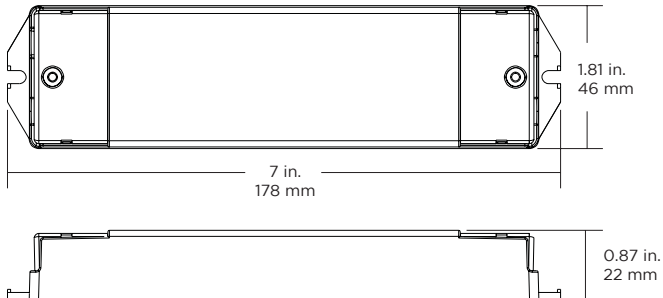


Applications:

Commercial	Hospitality	Residential
Entertainment	Museums	Retail
Healthcare	Public Spaces	

FC **CE** **RoHS** **IP20**

DIMENSIONS



Width: 7 in. (178 mm)
Length: 1.81 in. (46 mm)
Depth: 0.87 in. (22 mm)

ORDERING GUIDE

STANDARD

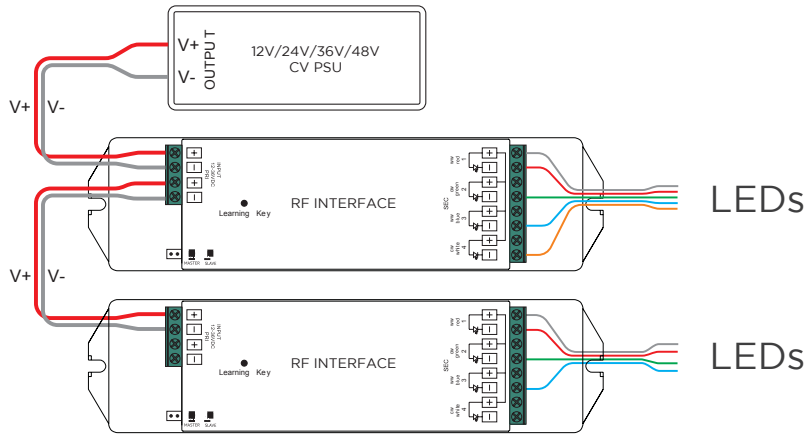
Category

RFINTERFACE4CH

RFINTERFACE4CH - 4 Channel RF Interface

WIRING DIAGRAM

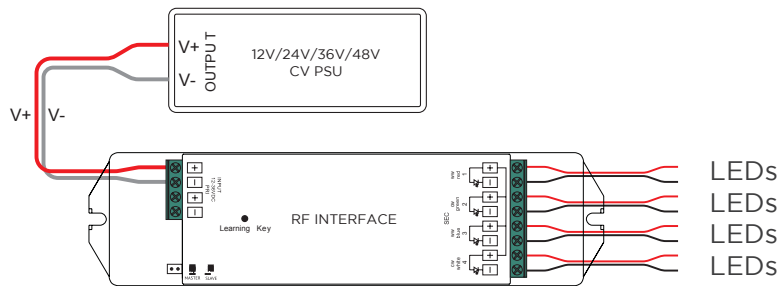
Connecting with RGBW Modules



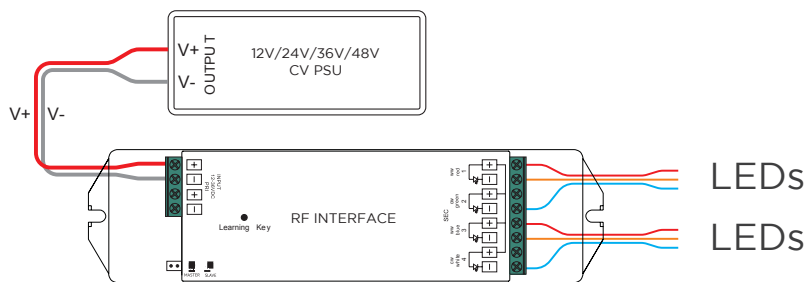
WARNING

- DO NOT Install with power applied to device
- DO NOT expose the device to moisture

Connecting with Static Color Modules



Connecting with Variable White Modules



Pairing with RF Remote

- Complete wiring according to wiring diagrams above.
- Pair RF Interface with RF Remote: Please refer to the instructions for the RF Remote you would like to pair with.
- Reset Pairing:
 1. Connect the RF Interface with power source (see wiring diagrams above).
 2. Press and hold down the "Learning Key" button on the RF Interface for over 3 seconds until the connected light flashes.

Primary and replica setting

1. The RF Interface has both primary and replica functions which can be set with a jumper. Covering both pins will set the RF Interface as the primary and covering one pin will set the RF Interface as the replica, or secondary function. Once you have set the jumper, please power off and power on the RF Interface to enable primary functions. Primary and replica settings enable perfect synchronization of color changing effects.
2. Set one RF Interface as the primary and pair it to any zone of a remote, and this zone will only have one RF Interface which works as the primary. Set all other RF Interfaces as replicas and pair them to other zones of the remote (multiple RF Interfaces can be paired to each zone). Then choose all zones on the remote and play the color changing effects. The primary will send a sync signal to the replicas to achieve perfect synchronization. The maximum sync distance between the primary and any replica is within 100 feet (30 meters).

(Use of the terms primary and replica settings refer to the traditional 'master/slave' architecture used in the electronics industry.)