



OPTX RIBBONLYTE INSTALLATION GUIDE

VHB Tape	2
Mounting Clip	3
Symmetric Channel	4
Adjustable Symmetric Channel	5

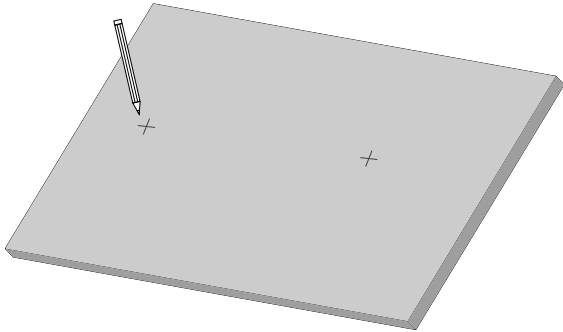
Technical Support:

Tech@GENLEDBrands.com

+1 212.629.6830 ext. 301

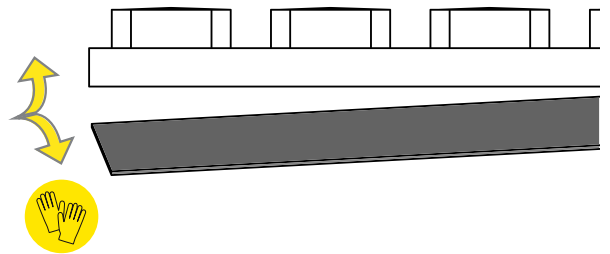


1.



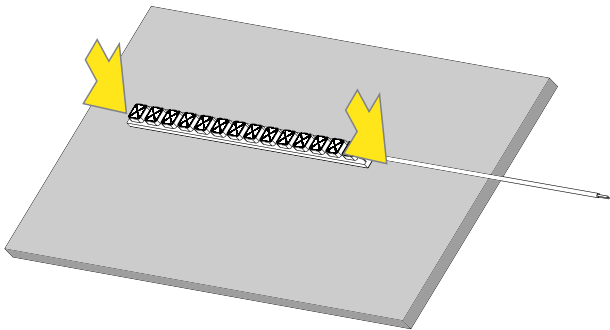
Measure and mark installation location.

2.



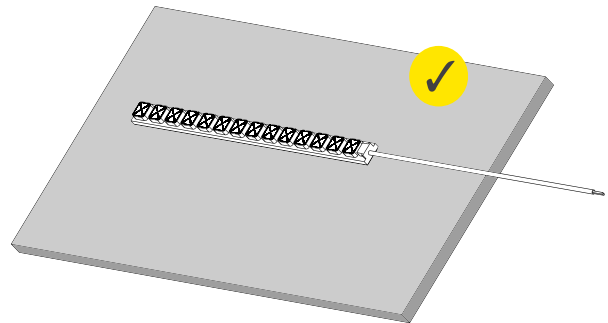
Peel back VHB tape.

3.



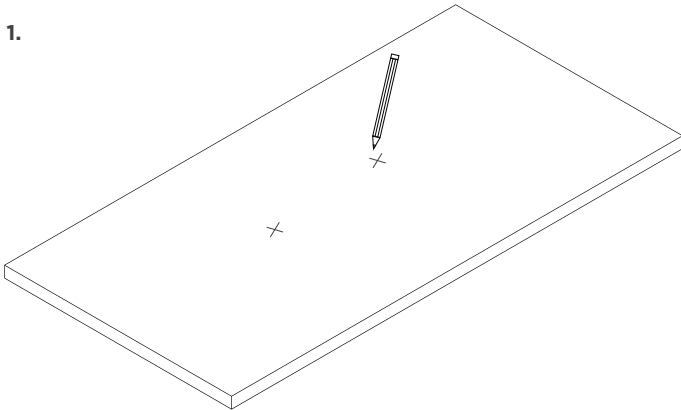
Stick to mounting surface.

4.



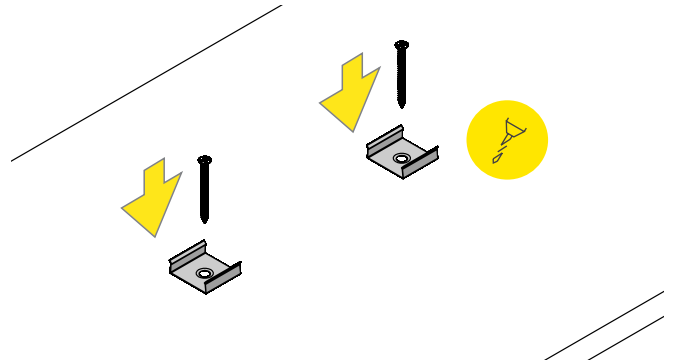
Installation complete.

1.



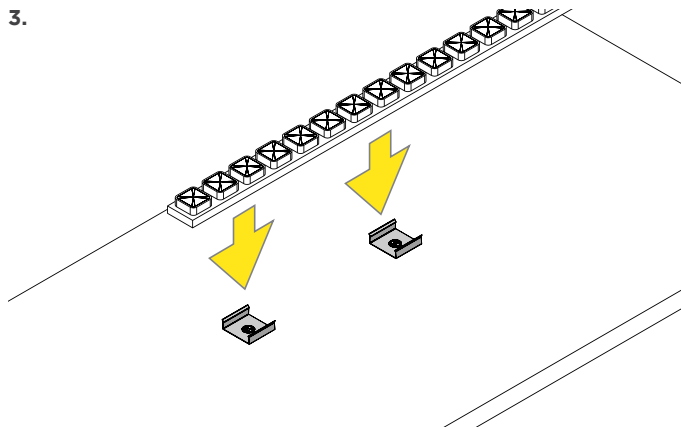
Measure and mark installation locations.

2.



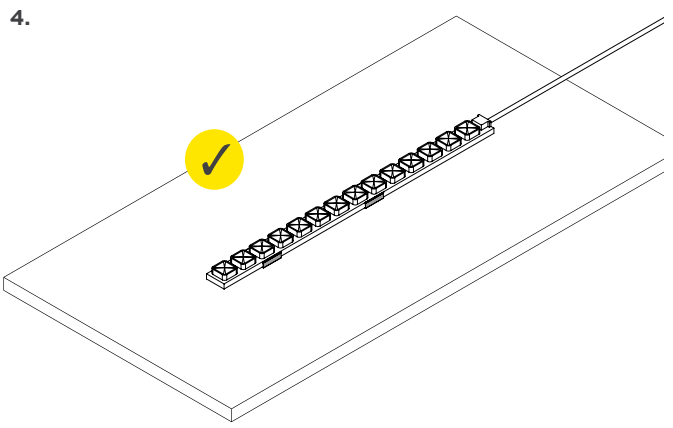
Affix mounting clips to mounting surface with screws.

3.



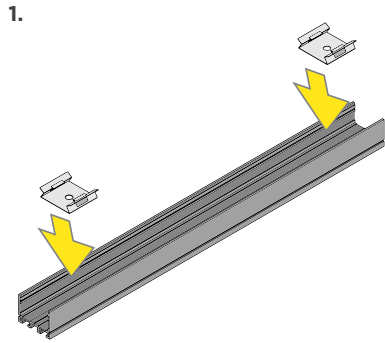
Place OptX RibbonLyte in mounting clips.

4.

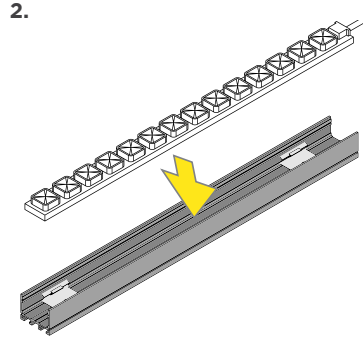


Installation complete.

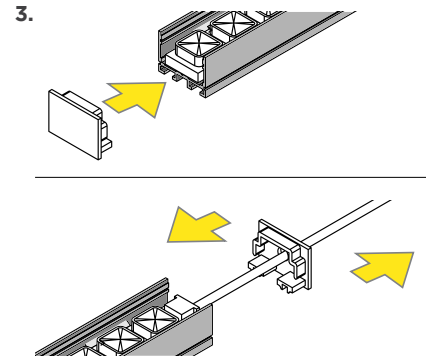
FOR CHANNEL ASSEMBLY



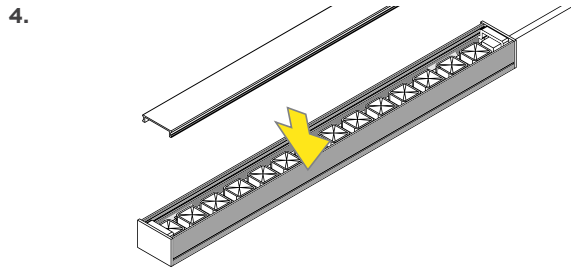
Press inner clips into channel.



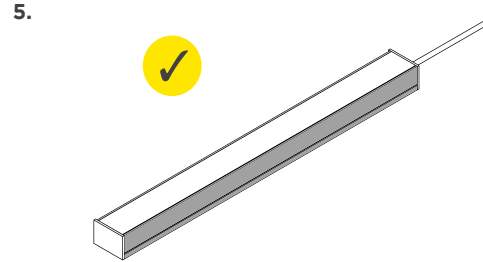
Press strip into inner clips.



Insert endcaps, threading lead wire through the endcap with a hole.

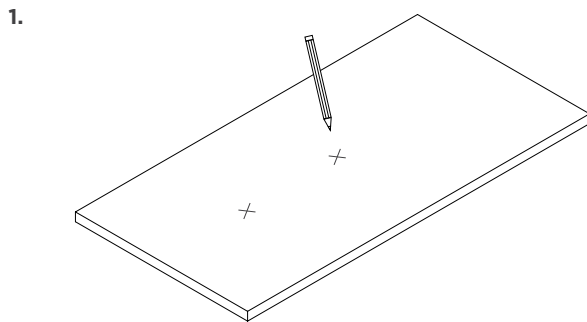


Click lens into place.

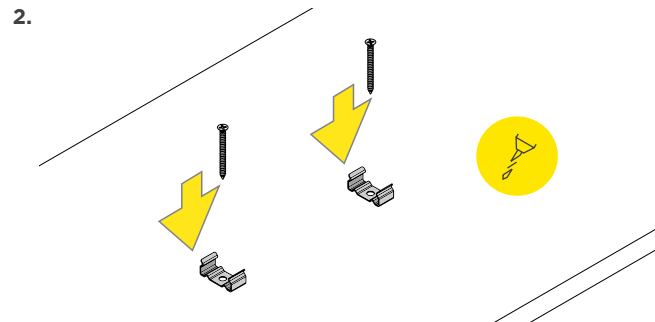


Installation complete.

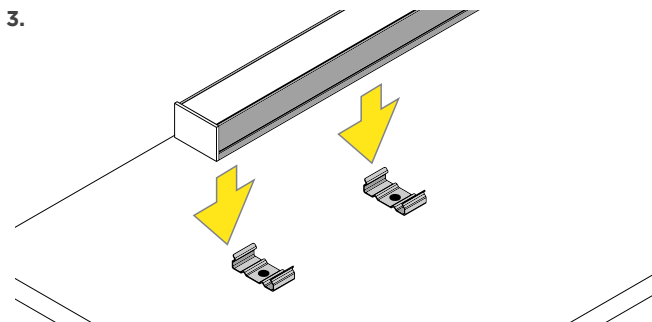
FOR CHANNEL MOUNTING



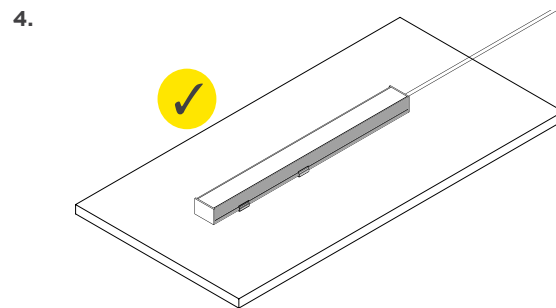
Measure and mark installation locations.



Affix mounting brackets to mounting surface with screws.

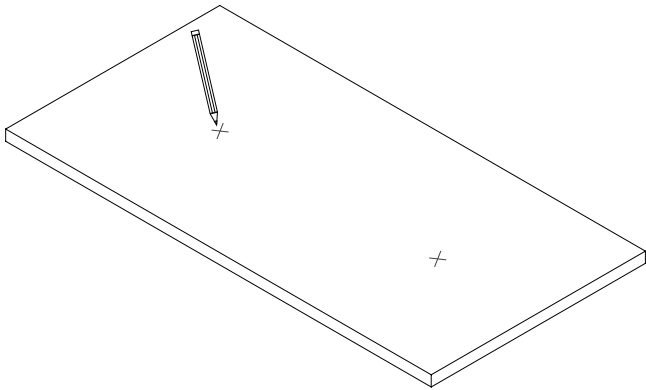


Place symmetric channel fixture into mounting brackets.



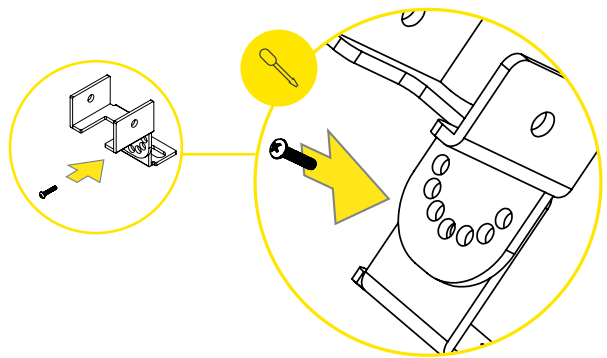
Installation complete.

1.



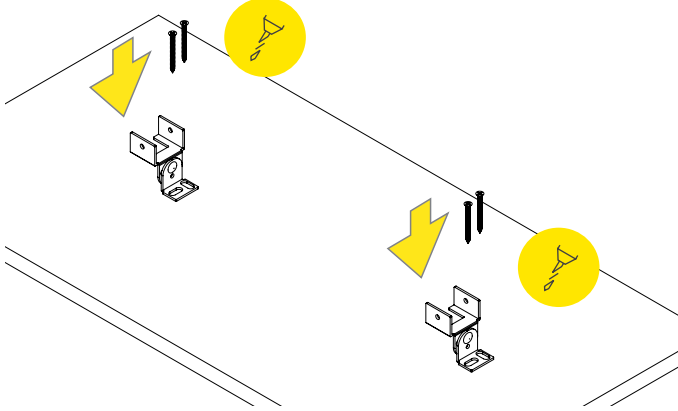
Measure and mark installation locations.

2.



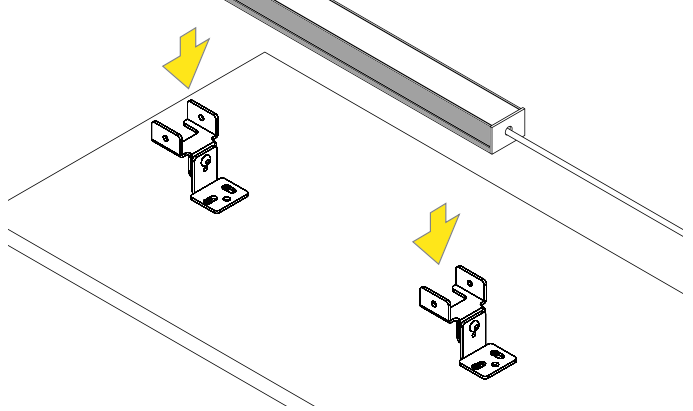
Adjust angle of adjustable mounting bracket and lock in position by using small screw.

3.



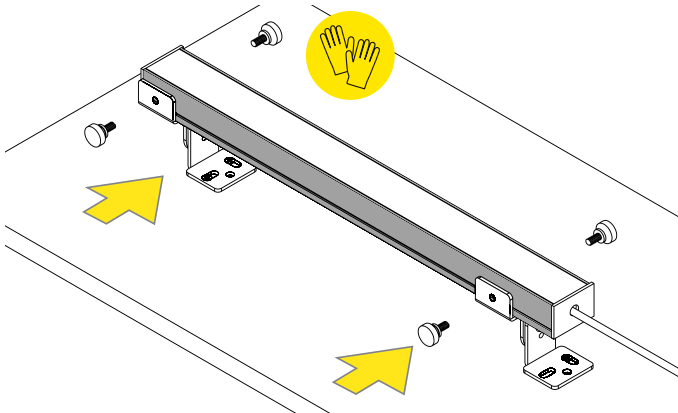
Affix adjustable mounting brackets to mounting surface with screws.

4.



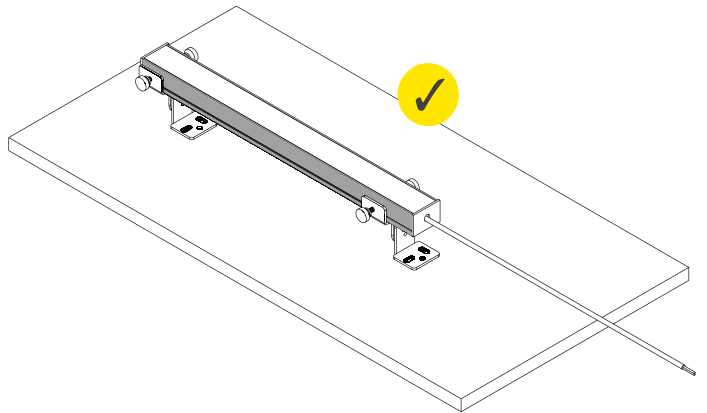
Place symmetric channel fixture into adjustable mounting brackets.

5.



Hand-tighten screws to secure sides of the adjustable mounting brackets and lock the channel in place.

6.



Installation complete.