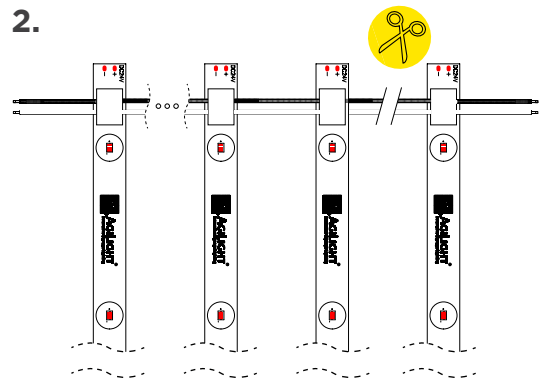
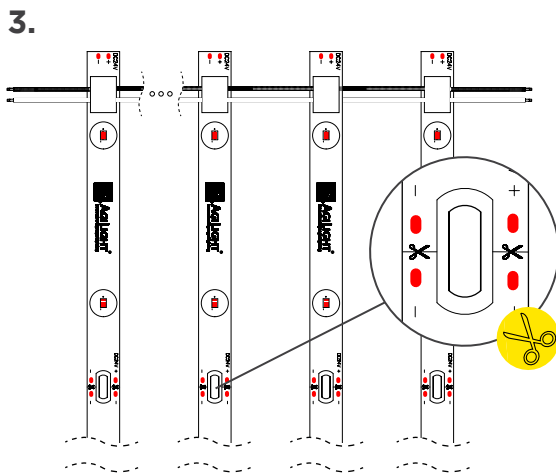


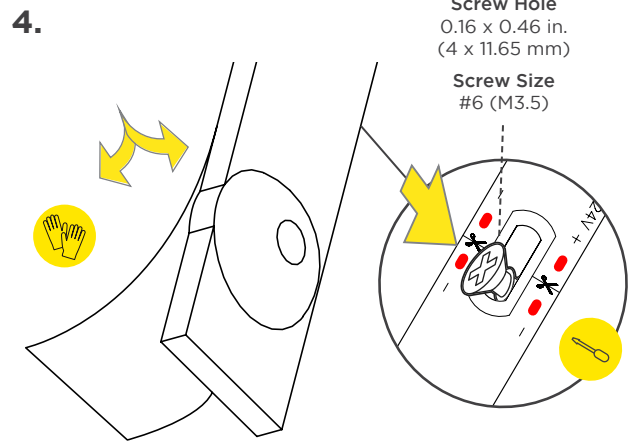
Measure and mark desired locations for LED light bars.



Cut power wires to desired length.



Trim LED light bars at available cut points to fit as/if needed.



Remove adhesive backing and affix OptiRayz light bars to surface as desired. (We recommend attaching light bars to the mounting surface with appropriate screws in marked holes for extra support.)

5. Daisy chain extra light bars as needed. (Check power supply load before connecting!)

6. Make necessary electrical connections. Installation complete.

NOTE: OptiRayz FB light bars come with wiring options for power on both ends. Unused wires can be trimmed or tied off.

