

### 96W DIMMABLE DALI-2 DT6 D4I 1 CHANNEL DRIVER

This UL Listed constant voltage Class 2 intelligent LED driver provides high efficiency and great heat dissipation with dimmable 24V output. It features an enclosure with isolated wire connections and a NEMA 4x rating. With 120-277V AC input voltage, it is suitable for commercial, industrial and residential applications.



- DALI-2 Type 6
- Constant voltage dimmable driver
- High efficiency and high power factor
- Short circuit and constant power protection
- Overtemperature and overload protection
- Lightning surge protection
- Lumen output compensation
- IP67, NEMA 4x and UL wet location
- 6-year warranty



### SPECIFICATIONS

Driver Type	Constant Voltage	Dimming Output Type	PWM
Rated Input Voltage Range	120-277V AC	Dimming Input Type	DALI-2 DT6 D4I
Input Frequency	47-63Hz	Ambient Operating Temperature	-40 to 122°F (-40 to 50°C)
Input Current	0.97A @ 120V AC	Storage Temperature	-40 to 185°F (-40 to 85°C)
THD	< 10%	Max Relative Humidity	95% RH
Power Factor	PF $\geq$ 0.98/120V	Overvoltage Protection	Yes
Output Power	96W	Short Circuit Protection	Yes
Output Voltage	24V (24-26V)	Over Temperature Protection	Yes
Output Current	4.0A	UL Standards	UL 8750
Efficiency @ Full Load	>91%@277V AC	Environmental Rating	UL wet location and NEMA 4x rated
		EMI Compliance	FCC Part 15 CLASS B
		Warranty	6 years

### ORDERING GUIDE

Category	Voltage	Wattage	Dimming Option	Number of Channels
DRVW	24	96	DALI	1CH
DRVW - Waterproof Driver	24 - 24V DC Output	96 - 96W	DALI - DALI-2 DT6 D4I Dimmable	1CH - 1 Channel

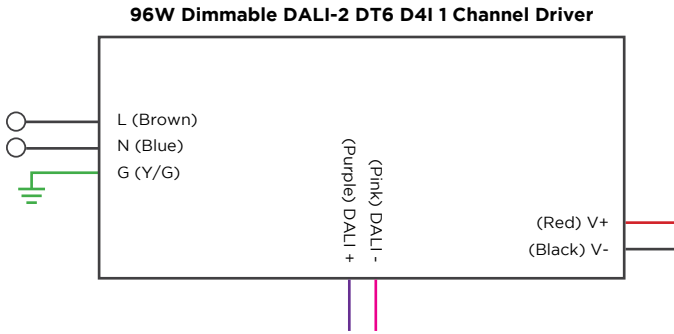
#### MAXIMUM DISTANCE FROM DRIVER TO LED AT FULL LOAD

96 W

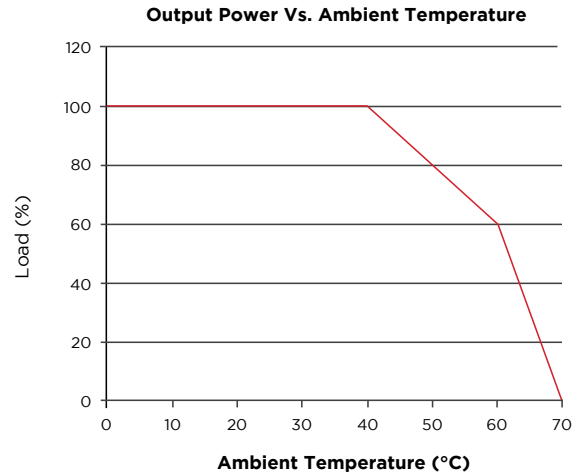
Wire Gauge	Feet	Meters
24 AWG / 0.25 mm <sup>2</sup>	5.5	1.68
22 AWG / 0.34 mm <sup>2</sup>	9	2.74
20 AWG / 0.5 mm <sup>2</sup>	14	4.27
18 AWG / 0.75 mm <sup>2</sup>	23	7.01
16 AWG / 15 mm <sup>2</sup>	37	11.28
14 AWG / 2.5 mm <sup>2</sup>	59	17.99
12 AWG / 4 mm <sup>2</sup>	94	28.66
10 AWG / 6 mm <sup>2</sup>	150	45.73
8 AWG / 10 mm <sup>2</sup>	239	72.87

Acolyte does not warrant or represent that the information is free from errors or omission. The information may change without notice and Acolyte is not in any way liable for the accuracy of any information printed and stored or in any way interpreted or used.

WIRING DIAGRAM



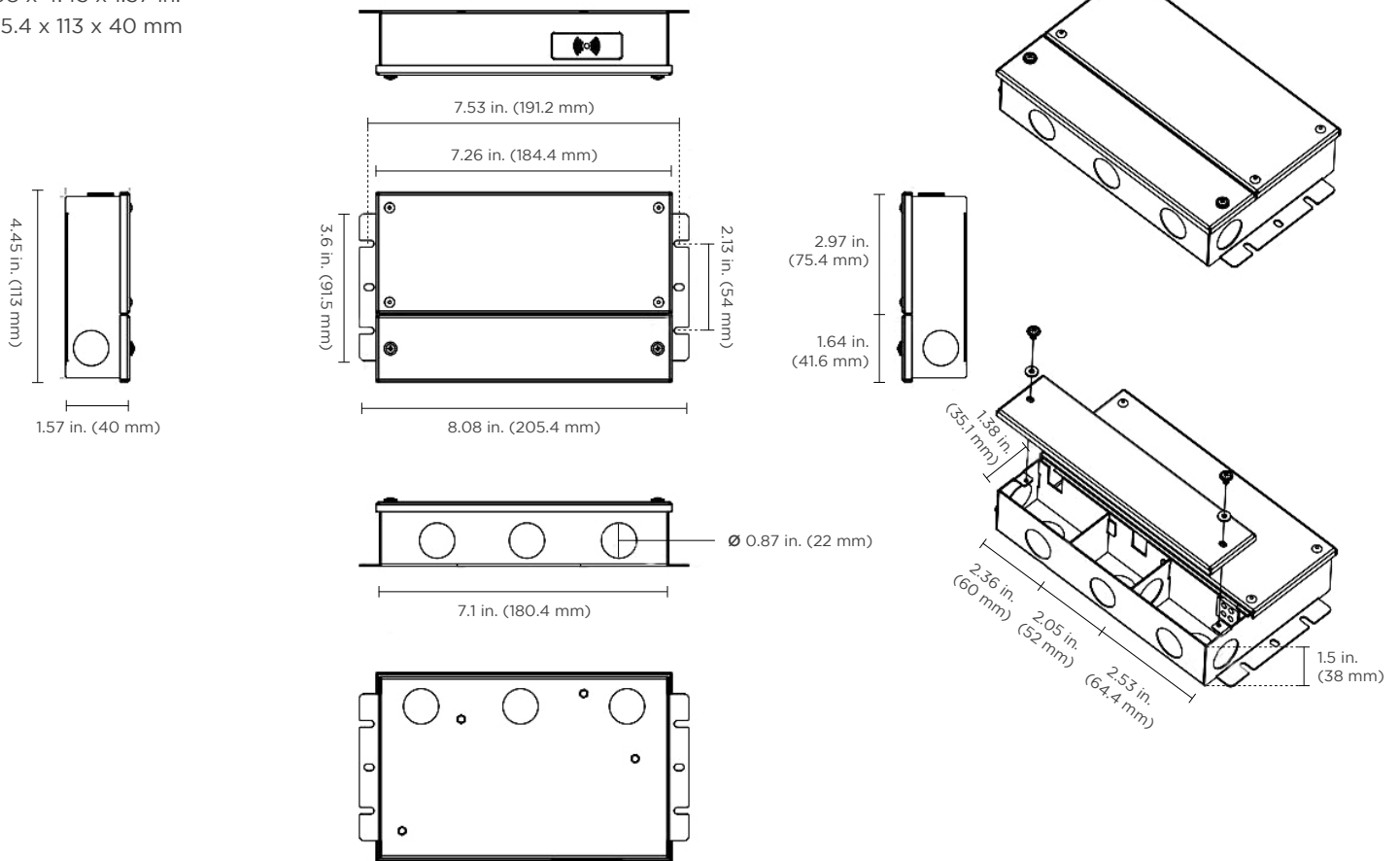
DERATING CURVE



DIMENSIONS

L x W x H

8.08 x 4.45 x 1.57 in.  
205.4 x 113 x 40 mm



REV.24SEP2024

GLOBAL HQ

320 Murray Hill Pkwy  
East Rutherford, NJ 07073  
T: (+1) 212 629 6830  
E: Sales-US@GENLEDBrands.com

EUROPEAN HQ

De Corridor 16K  
36212B Breukelen  
Netherlands  
T: (+31) 346 235 000  
E: SalesEurope@GENLEDBrands.com

MEINA HQ

PO Box 371378, #823, Building 4EA  
Dubai Airport Free Zone, Dubai, UAE  
T: (+971) 4 701 7901  
E: SalesMEINA@genlebrands.com

ASIA-PACIFIC HQ

Room 402, Building D  
ShenShi Tongchuang Science and Technology Park  
No. 16 Hongyin Road  
Xingqiang Community, Xinhui Street  
Guangming District, Shenzhen, China 518107  
Sales: (+86) 139 1836 3905  
Office: (+86) 755 8529 0710  
E: Sales-Pacific@GENLEDBrands.com

[linkedin.com/company/genledacolyte](https://www.linkedin.com/company/genledacolyte)

[facebook.com/acolyteled](https://www.facebook.com/acolyteled)

[instagram.com/acolyte\\_led](https://www.instagram.com/acolyte_led)