

### SURGE PROTECTOR

This surge protector offers protection for LED luminaires in a small flat form factor. It provides single phase protection for LED/neutral, line/ground and neutral/ground in accordance with IEEE recommendations and surge limit testing requirements specified by ANSI safety standards. Designed to be wired in parallel, this surge protector is a Type 5 surge protection device suitable for field or factory installation.



**RoHS IP65**

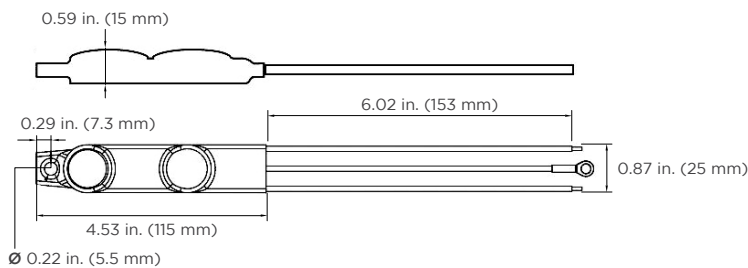
### SPECIFICATIONS

SURGE PROTECTOR			
Input Voltage	120-277 V (+/- 5%)		
Frequency	50-60 Hz		
Maximum Continuous Voltage	320 V		
Maximum Discharge Current:	L-N 20kA; L-G, N-G 10kA (8/20Qs standard wave)		
Nominal Discharge Current	5 kA		
Max Case Temperature	185° F (85° C)		
Measured Limiting Voltage (VpK)	L-N: 1200	L-G: 1320	N-G: 1320
Warranty	5 years		

PULSE RATING (8 X 20 μSEC)		
Surge Level	L-N	L-G, N-G
10,000A	2*	1
6,500A	4	2
5,000A	30	15
2,000A	200	100
700A	2,000	1,000

\* 1 strike at 20,000A

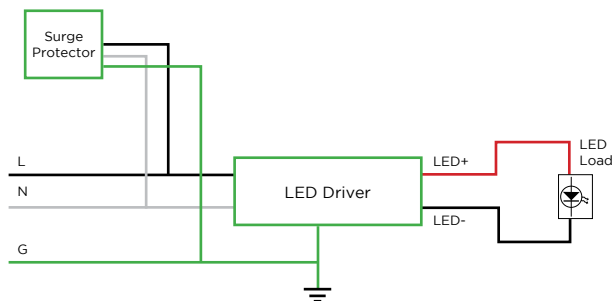
### DIMENSIONS



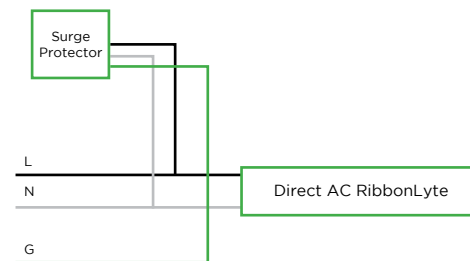
Length	4.53 in. (115 mm)
Width	0.87 in. (25 mm)
Height	0.59 in. (15 mm)
Mounting Hole	Ø 0.22 in. (5.5 mm)
Weight	2 oz (0.056 kg)

### WIRING DIAGRAMS

#### WIRING WITH DRIVER



#### WIRING WITH DIRECT AC RIBBONLYTE



### ORDERING GUIDE

**Part Number**

PSP3-20-120-277V

PSP3-20-120-277V - Surge Protector