

SURGE PROTECTOR

This surge protector offers protection for LED luminaires in a small flat form factor. It provides single phase protection for line/neutral, line/ground and neutral/ground in accordance with IEEE recommendations and surge limit testing requirements specified by ANSI safety standards. Designed to be wired in parallel, this surge protector is a Type 5 surge protection device suitable for field or factory installation.



RoHS IP65

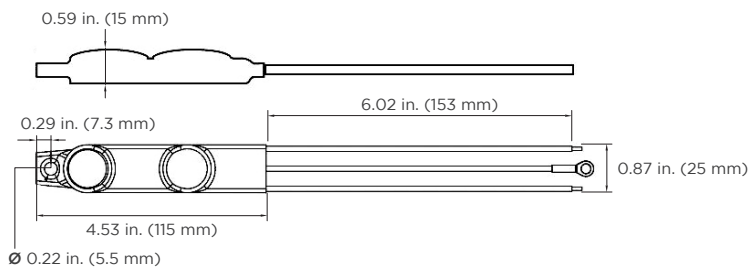
SPECIFICATIONS

| SURGE PROTECTOR | | | |
|---------------------------------|--|-----------|-----------|
| Input Voltage | 120-277 V (+/- 5%) | | |
| Frequency | 50-60 Hz | | |
| Maximum Continuous Voltage | 320 V | | |
| Maximum Discharge Current: | L-N 20 kA; L-G, N-G 10 kA (8/20Qs standard wave) | | |
| Nominal Discharge Current | 5 kA | | |
| Max Case Temperature | 185 °F (85 °C) | | |
| Measured Limiting Voltage (VpK) | L-N: 1200 | L-G: 1320 | N-G: 1320 |
| Warranty | 5 years | | |

| PULSE RATING (8 X 20 μSEC) | | |
|-------------------------------|-------|----------|
| Surge Level | L-N | L-G, N-G |
| 10,000 A | 2* | 1 |
| 6,500 A | 4 | 2 |
| 5,000 A | 30 | 15 |
| 2,000 A | 200 | 100 |
| 700 A | 2,000 | 1,000 |

* 1 strike at 20,000 A

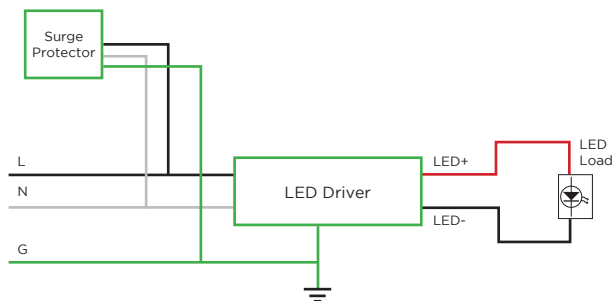
DIMENSIONS



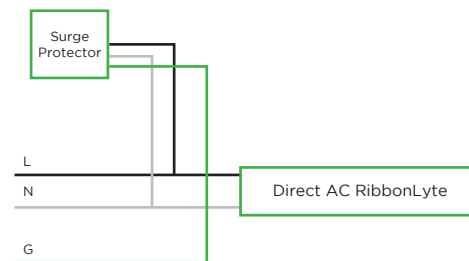
| | |
|---------------|---------------------|
| Length | 4.53 in. (115 mm) |
| Width | 0.87 in. (25 mm) |
| Height | 0.59 in. (15 mm) |
| Mounting Hole | Ø 0.22 in. (5.5 mm) |
| Weight | 2 oz (0.056 kg) |

WIRING DIAGRAMS

WIRING WITH DRIVER



WIRING WITH DIRECT AC RIBBONLYTE



ORDERING GUIDE

Part Number

PSP3-20-120-277V

PSP3-20-120-277V - Surge Protector