

SURGE PROTECTOR

This surge protector offers protection for LED luminaires in a small flat form factor. It provides single phase protection for line/neutral, line/ground and neutral/ground in accordance with IEEE recommendations and surge limit testing requirements specified by ANSI safety standards. Designed to be wired in parallel, this surge protector is a Type 5 surge protection device suitable for field or factory installation.



RoHS IP65

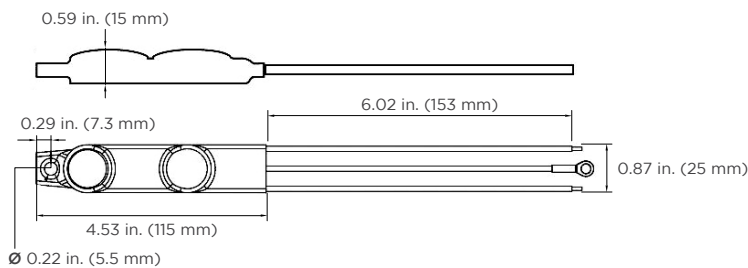
SPECIFICATIONS

SURGE PROTECTOR			
Input Voltage	120-277 V (+/- 5%)		
Frequency	50-60 Hz		
Maximum Continuous Voltage	320 V		
Maximum Discharge Current:	L-N 20 kA; L-G, N-G 10 kA (8/20Qs standard wave)		
Nominal Discharge Current	5 kA		
Max Case Temperature	185 °F (85 °C)		
Measured Limiting Voltage (VpK)	L-N: 1200	L-G: 1320	N-G: 1320
Warranty	5 years		

PULSE RATING (8 X 20 μSEC)		
Surge Level	L-N	L-G, N-G
10,000 A	2*	1
6,500 A	4	2
5,000 A	30	15
2,000 A	200	100
700 A	2,000	1,000

* 1 strike at 20,000 A

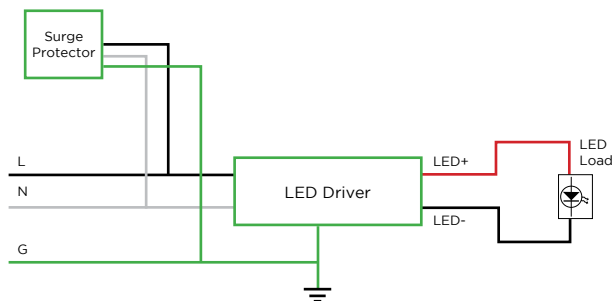
DIMENSIONS



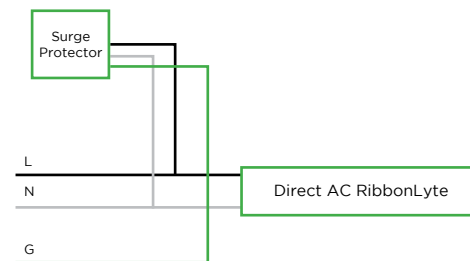
Length	4.53 in. (115 mm)
Width	0.87 in. (25 mm)
Height	0.59 in. (15 mm)
Mounting Hole	Ø 0.22 in. (5.5 mm)
Weight	2 oz (0.056 kg)

WIRING DIAGRAMS

WIRING WITH DRIVER



WIRING WITH DIRECT AC RIBBONLYTE



ORDERING GUIDE

Part Number

PSP3-20-120-277V

PSP3-20-120-277V - Surge Protector

AgiLight does not warrant or represent that the information is free from errors or omission. The information may change without notice and AgiLight is not in any way liable for the accuracy of any information printed and stored or in any way interpreted or used.

REV.25NOV2025