

240W DALI-2 DIMMABLE DRIVER

The 240W DALI-2 Dimmable Driver is a single-channel dimming driver that provides 24V Constant Voltage output. It offers a smooth, flicker-free dimming curve with a DALI master/Touch DIM (Push DIM) switch. Featuring an ultra-thin profile and a metal enclosure, this driver complies with DALI-2 standard protocol IEC 62386 part 207. It is suitable for LED-specific Constant Voltage lighting in several applications.



- Single channel output with 24V Constant Voltage direct current
- Voltage input range: 120-277 VAC
- Meets DALI-2 protocol IEC 62386-207
- Supports Touch DIM (Push DIM) function
- Metal enclosure with ultra-thin design
- Rated IP67
- High efficiency up to ≥90%
- Smooth, flicker-free dimming effect
- 0.1%-100% dimming range
- Short circuit, overload, overvoltage, lightning protections



ORDERING GUIDE

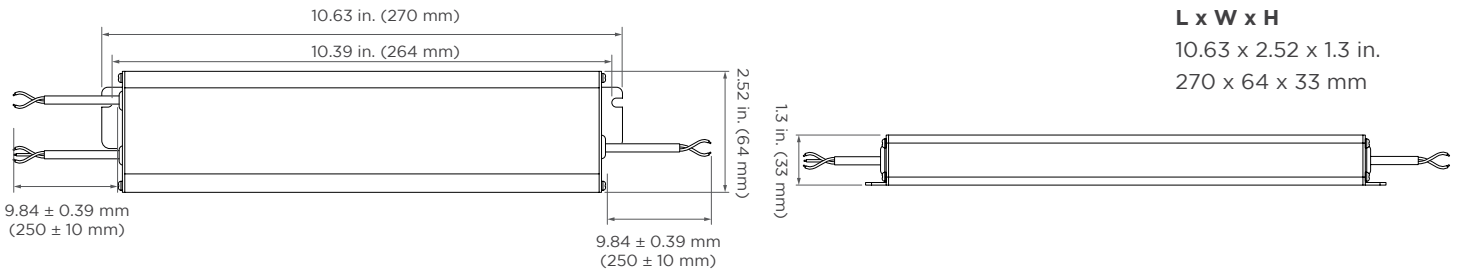
Category	Voltage	Wattage	Dimming Option	Channel
DRVW	24	240	DALI	1CH
DRVW - Waterproof Driver	24 - 24 VDC Output	240 - 240 W	DALI - DALI	1CH - 1 channel

SPECIFICATIONS

Driver Type	Constant Voltage
Rated Input Voltage Range	100 - 240 VAC
Input Frequency	50-60 Hz
Hipot Withstand Voltage	I/P-O/P: 3750 VAC / 5 mA, I/P-PG: 1500 VAC / 5 mA, O/P-PG: 500 VAC / 5 mA
Input Current (Max.)	0.9 A @ 120 VAC; 0.47 A @ 230 VAC
Inrush Current (Typ.)	Cold start 50 A @ 230 VAC
THD	≤10% @ 230 VAC, Full load
Power Factor	≥0.95 @ 230 VAC, Full load
Output Power	240 W
Output Voltage	24 V
Output Current	10 A
Efficiency @ Full Load	≥91% @ 230 VAC
Safety Standards	IEC 61347-1:2025, IEC 61347-2-13:2024
Working Temp.	-13 – 122 °F (-25 – 50 °C)
Storage Temp.	-40 – 185 °F (-40 – 85 °C)
IP Rating	IP67
Dimming Range	0-100%, down to 0.1%
Dimming Interface	DALI2.0 / Touch DIM (Push DIM)
Dimensions (L x W x H)	10.63 x 2.52 x 1.3 in. (270 x 64 x 33 mm)
Lifetime	50,000 hours
Warranty	5 Years

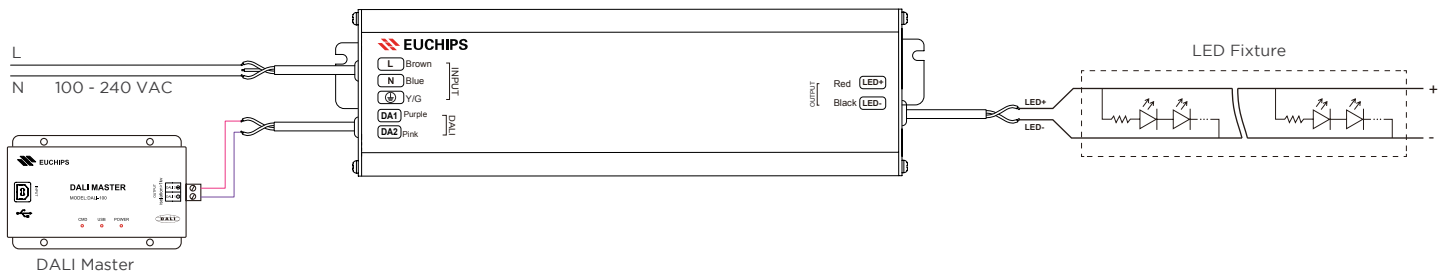
Acolyte does not warrant or represent that the information is free from errors or omission. The information may change without notice and Acolyte is not in any way liable for the accuracy of any information printed and stored or in any way interpreted or used.

DIMENSIONS



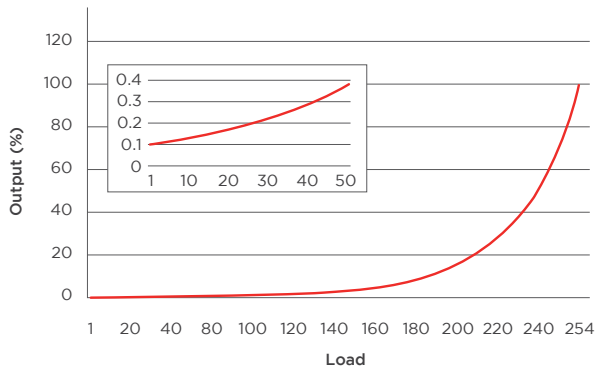
NOTE: To prevent exposure to the maximum allowable temperatures for these drivers, the suggested installation spacing between drivers is at least 4 in. (101.6 mm) side-to-side when the distance to the sidewall and top of the enclosure is 2 in. (50.8 mm). When the distance to the sidewall and top of the enclosure is 6 in. (152.4 mm), maintain at least 2 in. (50.8 mm) side-to-side spacing between drivers. Drivers should be placed at a minimum of 1 in. (25.4 mm) apart when arranging them end-to-end regardless of the enclosure size.

WIRING DIAGRAM

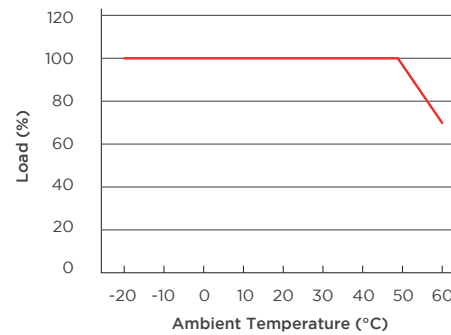


PERFORMANCE

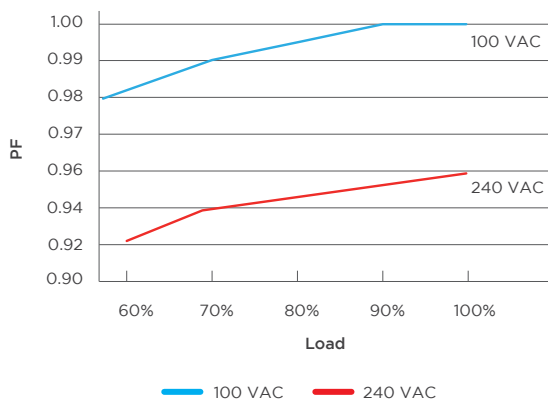
Dimming Curve



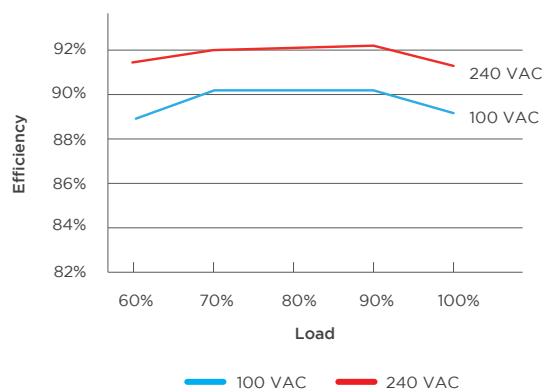
Derating Curve



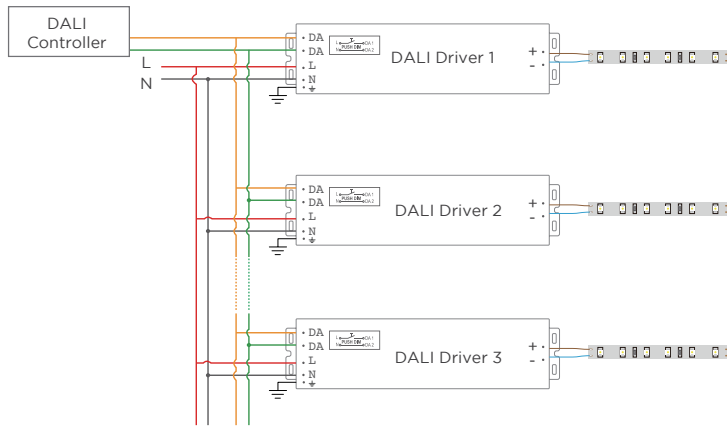
PF vs Load



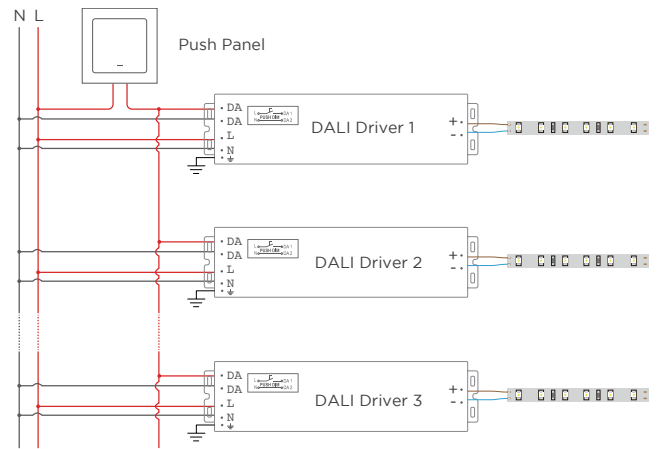
Efficiency vs Load



DALI DIAGRAM



TOUCH DIM (PUSH DIM) DIAGRAM



NOTE:
Only use the open push button WITHOUT an indicator light. Max. cable length between each driver: 65 ft 7 in. (20 m)

Touch Dim (Push DIM) Function

1. Press the Touch DIM switch for 8 seconds or more. The driver can now be controlled via Touch DIM switch.
2. Short press the Touch DIM switch (less than half a second) to turn the luminaire on/off.
3. Long press the Touch DIM switch (more than half a second) to dim the luminaire. The dimming direction will change each time after pressing the switch.
4. Double-click the Touch DIM switch (less than 0.3 second), to set all luminaires on the device to maximum brightness.
5. The brightness range is 1%-100%. Lights can be turned off with short pressing when adjusting with long presses of the Touch DIM switch.
6. With the Power off memory function, the driver will recover the power-down state when it is powered on again.

Cautions

1. This product should be installed by qualified personnel.
2. This product is not waterproof. It needs to avoid sun and rain. In case of outdoor use, please ensure it is mounted in a waterproof enclosure.
3. Good heat dissipation conditions will extend product life. Please install the product in a well-ventilated environment.
4. Please ensure the LED power supply output voltage and current meet the product requirements.
5. Please ensure that an adequately sized cable is used to carry current from the controller to the LED lights.
6. Please ensure that the cable is secured tightly in the connector.
7. Due to safety concerns, PVC or rubber cord of 0.75-2.5 mm is recommended for input and output terminal(s) (excluding signal terminals). A flat power cord is not suitable.
8. Ensure all wire connections and polarities are correct BEFORE applying power to avoid any damages to the LED lights.
9. In case of malfunction, do not attempt to repair this product yourself.

REV.22APR2026

GLOBAL HQ

320 Murray Hill Pkwy
East Rutherford, NJ 07073
U.S.
T: (+1) 212 629 6830
E: Sales-US@GENLEDBrands.com

EUROPEAN HQ

Hogeweyselaan 119
1382 JK Weesp
Netherlands
T: (+31) 346 235 000
E: SalesEurope@GENLEDBrands.com

MEINA HQ

PO Box 371378, #823, Building 4EA
Dubai Airport Free Zone
Dubai, UAE
T: (+971) 4 701 7901
E: SalesMEINA@genledbrands.com

ASIA-PACIFIC HQ

Room 402, Building D
Shenshi Tongchuang Science and Technology Park
No. 16 Hongyin Road
Xingqiang Community, Xihu Street
Guangming District, Shenzhen, China 518107
T: (+86) 755 8529 0710
E: Sales-Pacific@GENLEDBrands.com