



Date \_\_\_\_\_ Project \_\_\_\_\_

Notes \_\_\_\_\_

### 0-10V/ELV/MLV 3-IN-1 DIMMABLE DRIVERS

These high-efficiency universal constant voltage output drivers provide smooth, flicker-free LED dimming. They are compatible with 0-10 V, ELV (reverse phase), TRIAC or MLV (forward phase) and PWM dimming and feature short circuit, overload and overcurrent protections. With a sturdy metal enclosure, these Class 2 output drivers are rated IP65 for dry, damp and wet locations.

- 24 VDC, 120-277 VAC
- Dimming: 0-10V, TRIAC, ELV/MLV, PWM
- Flicker free
- Short circuit, overload, overcurrent protection with auto recovery
- Class 2 output
- IP65 rated for dry, damp and wet locations
- Metal case
- UL Listed
- 5-year warranty



### ORDERING GUIDE

| Category                 | Voltage            | Wattage  | Dimming Option           |
|--------------------------|--------------------|--|--------------------------|
| DRVW                     | 24                 |  | TRIO10                   |
| DRVW - Waterproof Driver | 24 - 24 VDC Output | 60 - 60 W<br>96 - 96 W<br>288 - 288 W (3 x 96 W) | TRIO10 - 0-10V, ELV, MLV |

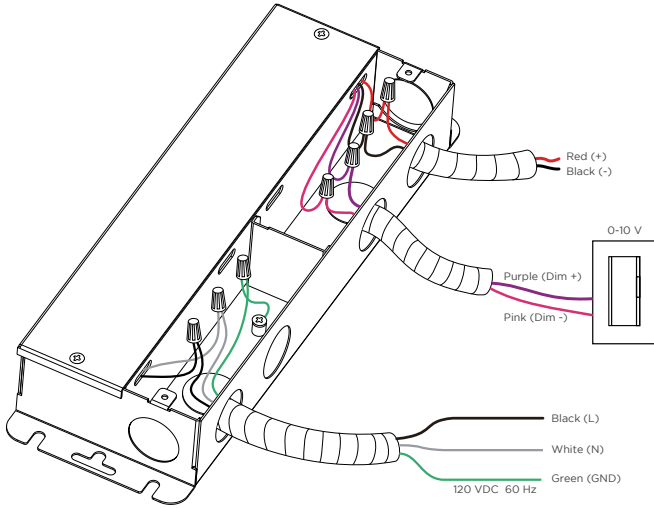
### SPECIFICATIONS

|                       | 60 W   | 96 W   | 288W   |
|-----------------------|--|--|--|
| Input Voltage         | 120-277 VAC  | 120-277 VAC                                  | 120-277 VAC                                  |
| Input Current         | 0.34-0.7 A max.  | 0.5-1.1 A max.                               | 1.2-2.8 A max.                               |
| Inrush Current Ipeak  | 14 A @ 277 VAC, 15 A @ 277 VAC                                     | 18 A @ 120 VAC, 40 A @ 277 VAC               | 50 A @ 120 VAC                               |
| Frequency Range       | 50/60 Hz   | 50/60 Hz                                     | 50/60 Hz                                     |
| THD                   | < 15% @ 120 VAC, < 25% @ 277 VAC                                   | < 5% @ 120 VAC, < 10% @ 277 VAC              | < 10% @ 120 VAC, < 15% @ 277 VAC             |
| Efficacy              | 87% @ 120 VAC, 89% @ 277 VAC (full load)                           | ≥ 86% @ 120 VAC, ≥ 88% @ 277 VAC (full load) | ≥ 90% @ 120 VAC (full load)                  |
| PF                    | ≥ 0.98 @ 120 VAC, 0.9 @ 277 VAC (full load)                        | ≥ 0.98 @ 120 VAC, 0.95 @ 277 VAC (full load) | ≥ 0.95 @ 120 VAC, 0.95 @ 277 VAC (full load) |
| Output Voltage        | 24 VDC   | 24 VDC                                       | 24 VDC                                       |
| Ripple                | < 1%   | < 1%   | < 1%   |
| Output Current        | 2.5 A  | 4 A  | 4 A per channel (12 A total max.)            |
| Protection            | Short circuit, overload, overcurrent protection with auto recovery |  |  |
| PWM Frequency         | 4 kHz  | 4 kHz  | 4 kHz  |
| Dimming Type          | 0/1-10 V, Potentiometer, PWM, Triac/ELV/MLV (@ 120 VAC, 60 Hz)     |  |  |
| Dimming Range         | 0-10 V: 0.5-100%, Triac/ELV/MLV: 1-100%                            | 0-10 V: 0.5-100%, Triac/ELV/MLV: 1-100%      | 0-10 V: 0.1-100%, Triac/ELV/MLV: 1-100%      |
| Channel               | 1  | 1  | 3  |
| Flicker               | Flicker free   | Flicker free                                 | Flicker free                                 |
| Operating Temperature | -4 – 140 °F (-20 – 60 °C)  | -4 – 140 °F (-20 – 60 °C)                    | -4 – 140 °F (-20 – 60 °C)                    |
| Storage Temperature   | -40 – 185 °F (-40 – 85 °C)   | -40 – 185 °F (-40 – 85 °C)                   | -40 – 194 °F (-40 – 90 °C)                   |
| IP Rating             | IP65 for dry, damp and wet locations                               | IP65 for dry, damp and wet locations         | IP65 for dry, damp and wet locations         |
| Lifetime              | 50,000 hours @ tc 185 °F (85 °C)                                   | 50,000 hours @ tc 176 °F (80 °C)             | 50,000 hours @ tc 185 °F (85 °C)             |
| Surge Protection      | L-N: 2.5 kV, L-N-PG: 2.5 kV  | L-N: 2.5 kV, L-N-PG: 2.5 kV                  | L-N: 2.5 kV, L-N-PG: 2.5 kV                  |
| Dimensions (LxWxH)    | 9.61 x 4.17 x 1.63 in. (244 x 106 x 41.5 mm)                       | 9.61 x 4.17 x 1.63 in. (244 x 106 x 41.5 mm) | 10.24 x 5.2 x 2.05 in. (260 x 132 x 52 mm)   |
| Casing                | Metal  |  |  |
| Safety Standard       | UL8750, UL1310, IEC 61000-4-2-3-4-5-6-8-11                         |  |  |
| Warranty              | 5 years  |  |  |

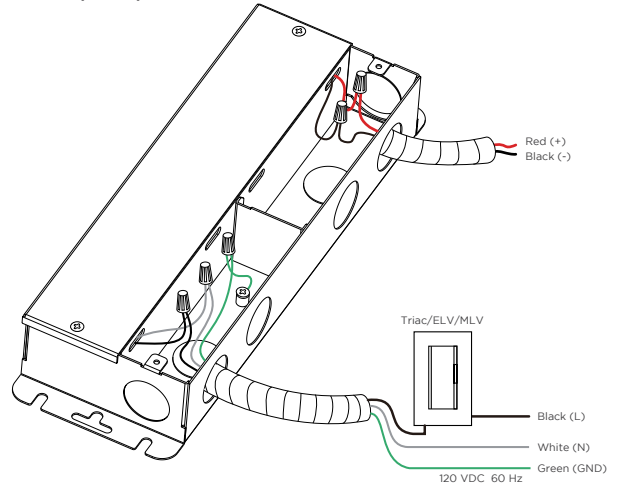
Acolyte does not warrant or represent that the information is free from errors or omission. The information may change without notice and Acolyte is not in any way liable for the accuracy of any information printed and stored or in any way interpreted or used.

WIRING DIAGRAM - 60 W & 96 W

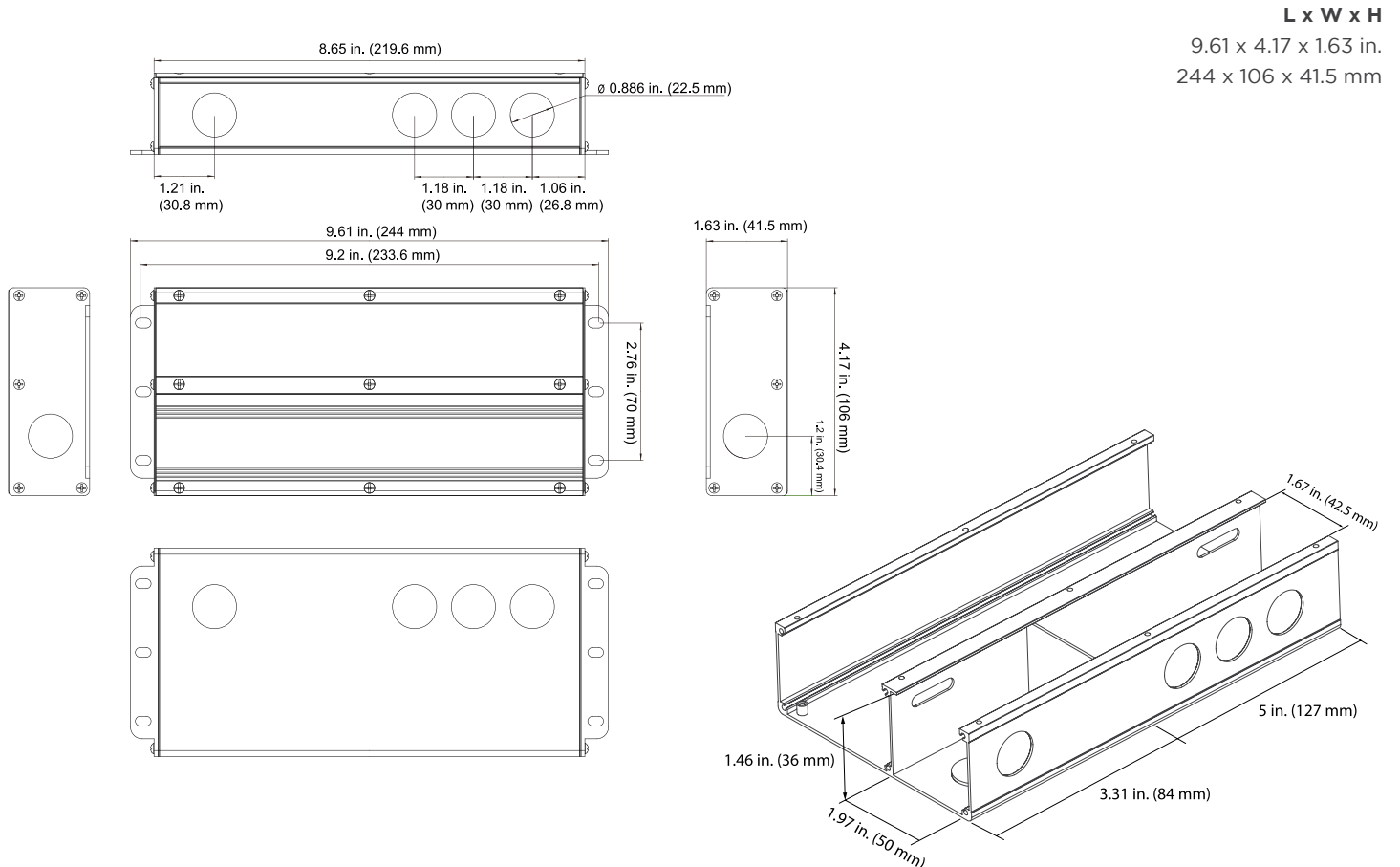
0-10 V



TRIAC/ELV/MLV



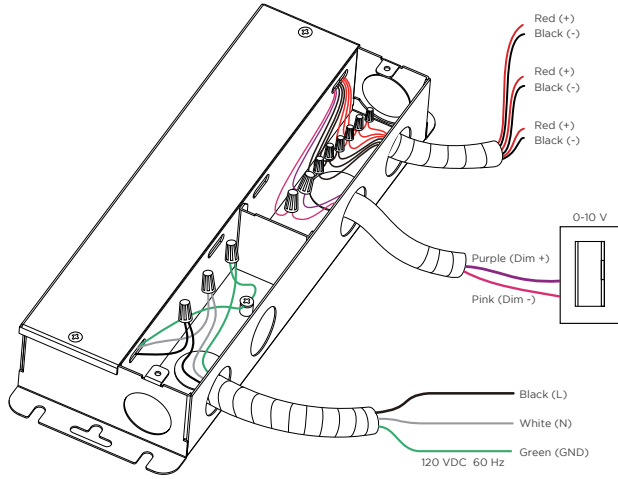
DIMENSIONS - 60 W & 96 W



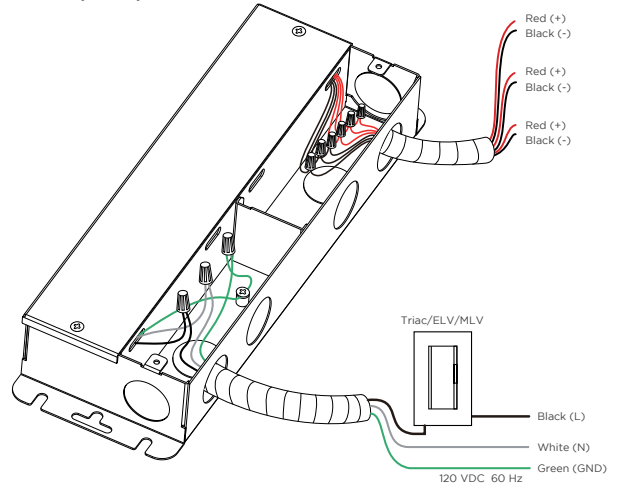
**NOTE:** To prevent exposure to the maximum allowable temperatures for these drivers, the suggested installation spacing between drivers is at least 4 in. (101.6 mm) side-to-side when the distance to the sidewall and top of the enclosure is 2 in. (50.8 mm). When the distance to the sidewall and top of the enclosure is 6 in. (152.4 mm), maintain at least 2 in. (50.8 mm) side-to-side spacing between drivers. Drivers should be placed at a minimum of 1 in. (25.4 mm) apart when arranging them end-to-end regardless of the enclosure size.

WIRING DIAGRAM - 288 W

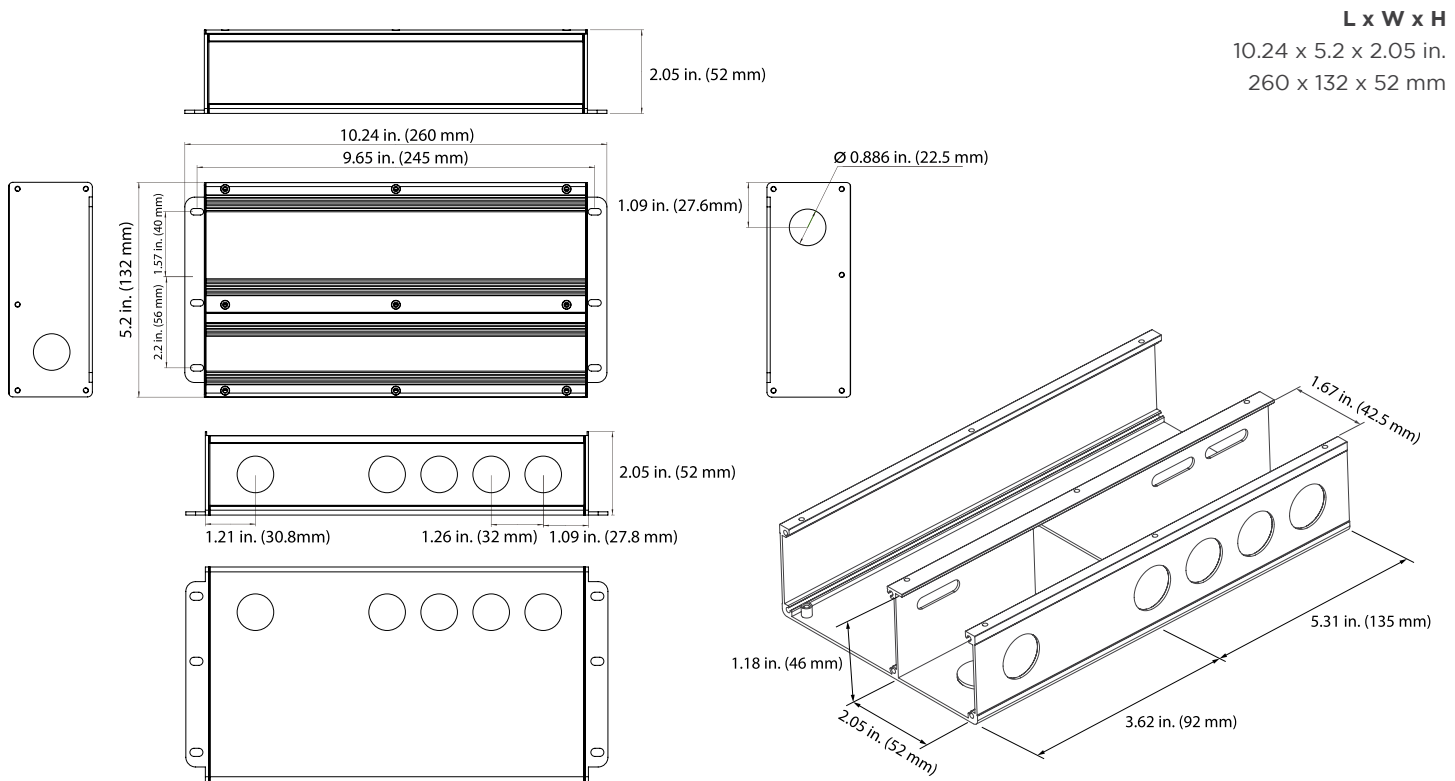
0-10 V



TRIAC/ELV/MLV



DIMENSIONS - 288 W



**L x W x H**

10.24 x 5.2 x 2.05 in.  
260 x 132 x 52 mm

**NOTE:** To prevent exposure to the maximum allowable temperatures for these drivers, the suggested installation spacing between drivers is at least 4 in. (101.6 mm) side-to-side when the distance to the sidewall and top of the enclosure is 2 in. (50.8 mm). When the distance to the sidewall and top of the enclosure is 6 in. (152.4 mm), maintain at least 2 in. (50.8 mm) side-to-side spacing between drivers. Drivers should be placed at a minimum of 1 in. (25.4 mm) apart when arranging them end-to-end regardless of the enclosure size.

REV.22APR2026

**GLOBAL HQ**

320 Murray Hill Pkwy  
East Rutherford, NJ 07073  
U.S.  
T: (+1) 212 629 6830  
E: Sales-US@GENLEDBrands.com

**EUROPEAN HQ**

Hogeweyselaan 119  
1382 JK Weesp  
Netherlands  
T: (+31) 346 235 000  
E: SalesEurope@GENLEDBrands.com

**MEINA HQ**

PO Box 371378, #823, Building 4EA  
Dubai Airport Free Zone  
Dubai, UAE  
T: (+971) 4 701 7901  
E: SalesMEINA@genledbrands.com

**ASIA-PACIFIC HQ**

Room 402, Building D  
Shenxi Tongchuang Science and Technology Park  
No. 16 Hongyin Road  
Xingqiang Community, Xinhui Street  
Guangming District, Shenzhen, China 518107  
T: (+86) 755 8529 0710  
E: Sales-Pacific@GENLEDBrands.com